

# PARIS BATH – 5’ 10” – WITH FEET

The Paris bath is a faithful reproduction of an early 20<sup>th</sup> Century French fireclay bath. The tub is made of Vitrite™, a stone and mineral composite, which replicates the look and feel of the original bath but without the weight. It is available with or without feet, in two sizes and may be produced in any colour (prices may vary).

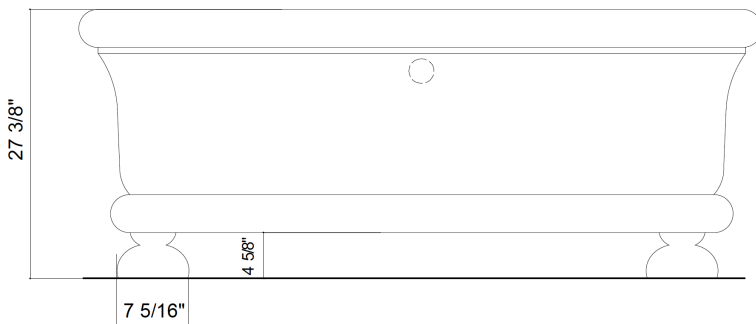
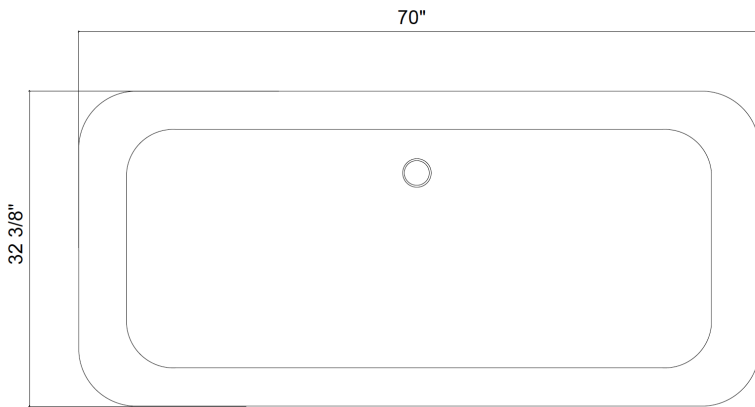
Length: 70”

Width: 32 3/8”

Height: 27 1/4”

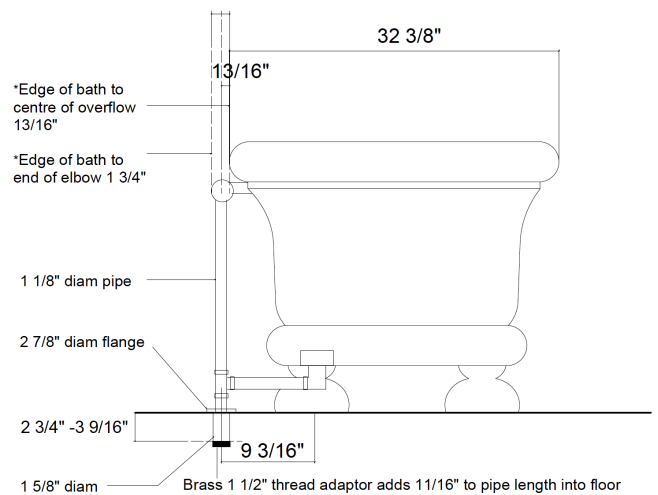
Capacity: 82 US Gallons

Dry weight: 198lb



Paris Bath 5' 10"	
O/A Length	70"
O/A Width	32 3/8"
O/A Height	27 3/8"
Int Length	59 13/16" apr
Int Width	24 7/16" apr
Int Depth	20 1/2" apr

Measurements shown are for guidelines only  
(All dims shown in inches)



Waste: 1 1/2"; Overflow: 28mm into 42mm waste pipe - outlet is UK 1 1/2" BSP - USA 1 1/2" IPS.

We only supply fittings above the floor. We do not supply the trap; the trap needs to go beneath the floor. Dimensions are given in inches; they are a guide only and may vary from bath to bath.