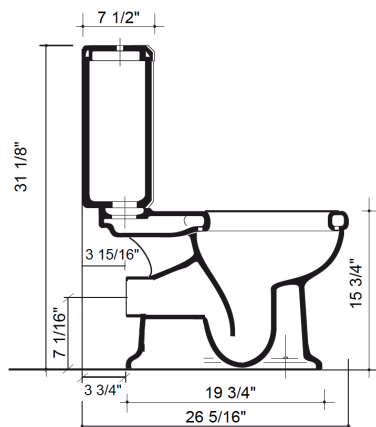


SOHO LAVATORY PAN WITH CLOSE COUPLED CISTERN - US

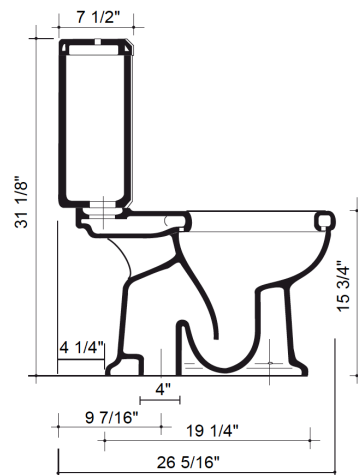
The Soho lavatory pan is shown with a close coupled cistern, matt black painted wooden seat and a graphite flush handle. It can also be used with a low level, high level or concealed cistern.



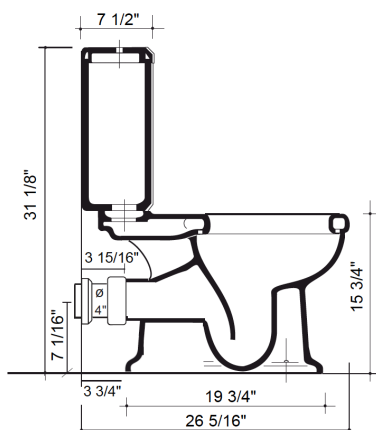
Side view with p-trap pan



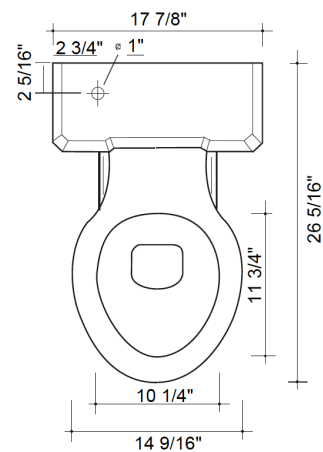
Side view with s-trap pan



Side view with optional vertical pan connector



Front view



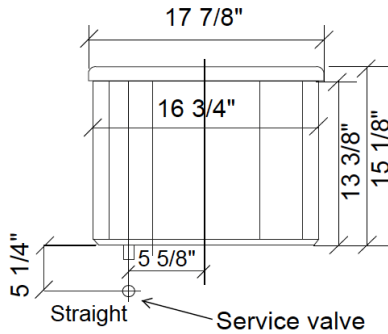
THE
WATER/
MONOPOLY

10/14 Lonsdale Road, London, NW6 6RD
+44 (0)20 7624 2636 thewatermonopoly.com

SOHO LAVATORY PAN WITH CLOSE COUPLED CISTERN - US

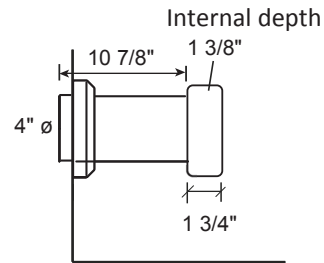
(page 2/2)

Cistern inlet pipe position diagram

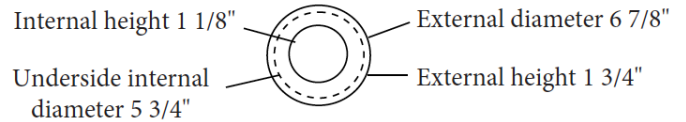


Position of cold feed pipe from wall. Straight service valve and elbow 10 3/4" from floor

Horizontal pan connector



Collar for horizontal pan connector



Technical Details

Assembly/Configuration: 2 piece water closet + close coupled cistern
 Bowl shape: Elongated
 Flush motion: Flush lever
 Flush position: Right hand
 Flush Primary Material: Brass
 Flushing Technology: Syphonic Flush
 Depth: 26 5/16"
 Height: 31 1/8"
 Inlet connection size: 1/2"
 Inlet connection type: Male threading
 Installation type: Wall hung cistern (not freestanding)
 Cistern width: 17 7/8"
 Outer Rim Shape: Elongated
 Rim height: 15 3/4"
 Application: Bathroom / cloakroom
 Water pressure maximum: 85.0 psi
 Water pressure minimum: 20.0 psi
 Water pressure recommended: 45.0 psi
 Outlet size: 4"
 Water consumption: 1.585 USA gallons
 Optional straight pan connector is available.
 The P-trap version cannot be used with a bent ceramic pan connector, only a straight pan connector.

Product Notes

All dimensions are based on original specifications and are subject to change and variation.

