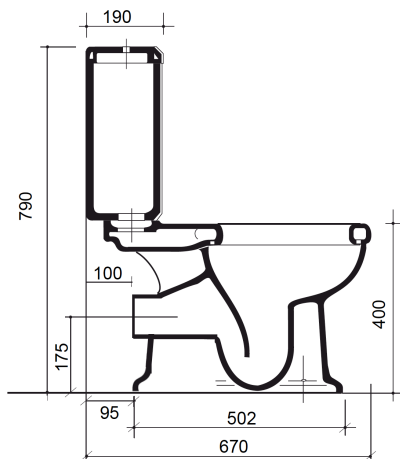


# SOHO LAVATORY PAN WITH CLOSE COUPLED CISTERN

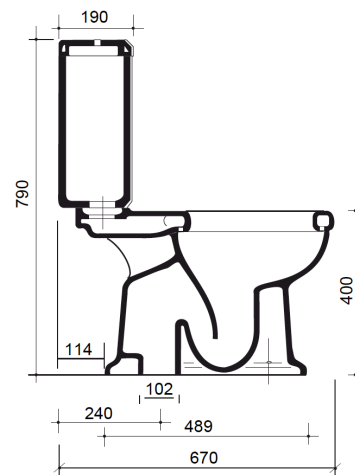
The Soho lavatory pan is shown with a close coupled cistern, matt black painted wooden seat and a graphite flush handle. It can also be used with a low level, high level or concealed cistern.



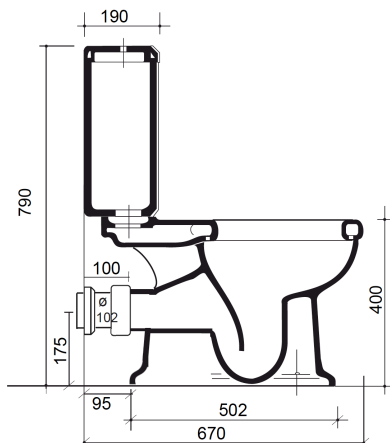
Side view with p-trap pan



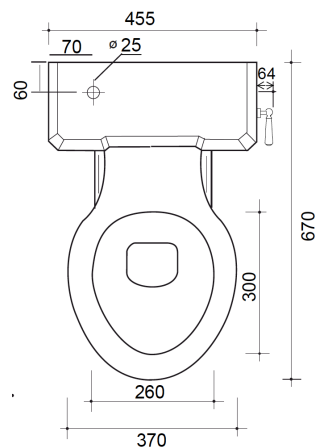
Side view with s-trap pan



Side view with optional horizontal pan connector



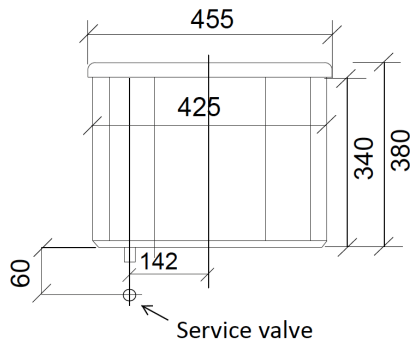
Front view



# SOHO LAVATORY PAN WITH CLOSE COUPLED CISTERN

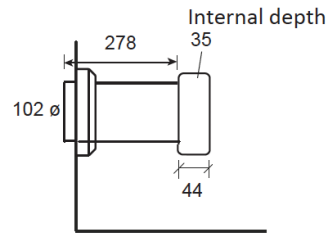
(page 2/2)

Cistern inlet pipe position diagram  
(supplied with a bent service valve)

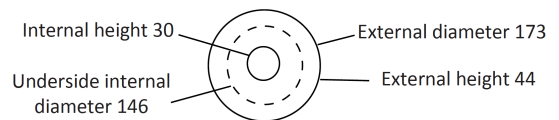


Position of cold feed pipe from wall. Bent service valve centre.

Horizontal pan connector



Collar for horizontal pan connector



## Technical Details

Flush motion: Syphonic with flush handle  
Flushing Technology: Syphonic Flush  
Depth: 670mm  
Height: 790mm  
Rim height: 400mm  
Inlet connection size: 1/2"  
Cistern width: 455mm  
Water pressure maximum: 6 bar  
Water pressure minimum: 1 bar  
Outlet size: 102mm  
Water consumption: 6 litres  
Optional straight pan connector available  
(P-trap version cannot be used with a bent ceramic pan connector, only a straight pan connector)

## Product Notes

All dimensions are based on original specifications and are subject to change and variation.