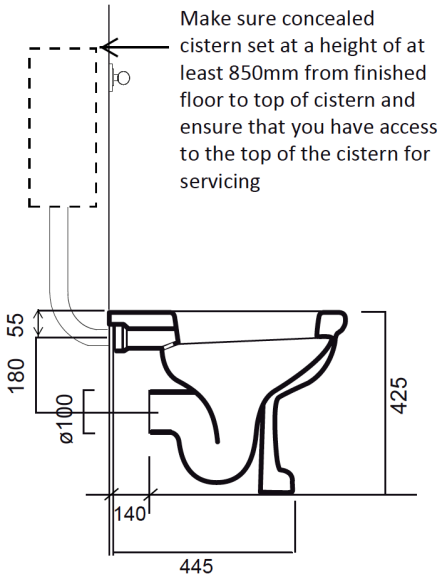


# PARIS LAVATORY PAN WITH CONCEALED CISTERN

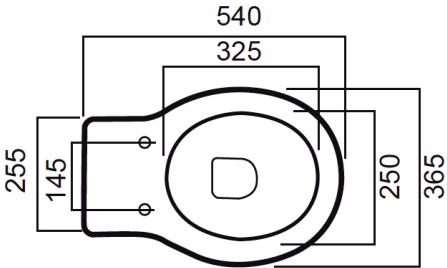
The Paris lavatory pan goes very well with the original French basins with softer detailing. It is also available to use with a high level, low level and close coupled cistern.



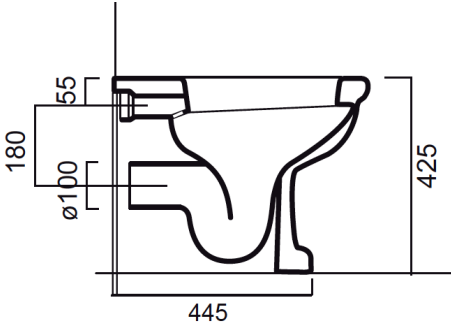
Side view with concealed cistern



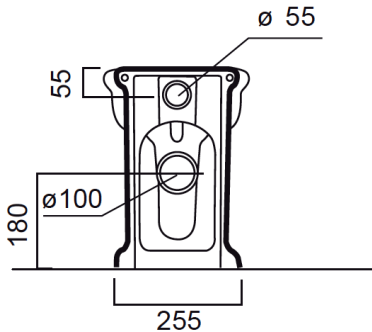
Top view



Side view, p-trap pan



Back view



# PARIS LAVATORY PAN WITH CONCEALED CISTERN

(Page 2/2)

## Technical Details

Assembly/Configuration: Pan for concealed cistern  
(two types available separately)

Bowl shape: Elongated

Flush motion: Flush lever / Flush plate

Flush position: Right hand / Centre

Flush Primary Material: Brass

Flushing Technology: Syphonic Flush / Flush valve

Minimum recommended cistern height (floor to top of cistern): 850mm

Depth max: 540mm

Cistern inlet connection size: 1/2"

Cistern inlet connection type: Male Threading

Installation type: Concealed cistern

Outer Rim Shape: Elongated

Rim height: 425mm

Application: Bathroom / Cloakroom

Water Pressure Maximum: 6.0 bar

Water Pressure Minimum: 1.5 bar

Water Pressure Recommended: 3.0 bar

Outlet size: 100mm

Water consumption: 6 litre

## Product Notes

All dimensions are in mm and based on original specifications and are subject to change and variation.