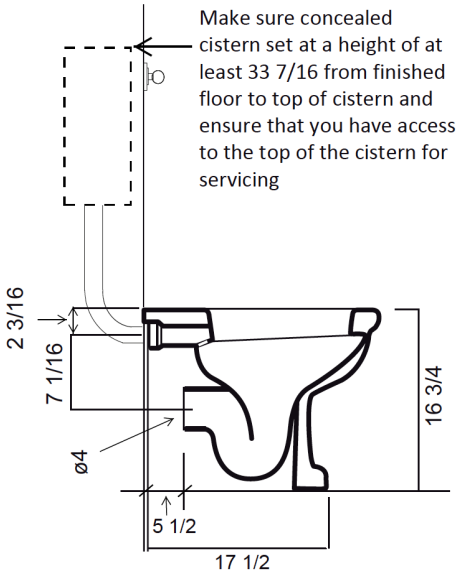


# PARIS LAVATORY PAN WITH CONCEALED CISTERN - US

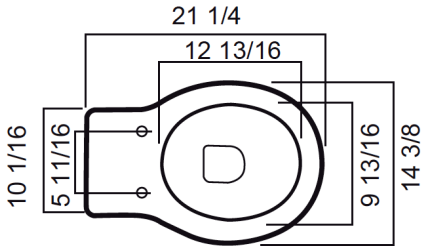
The Paris lavatory pan goes very well with the original French basins with softer detailing. It is also available to use with a high level, low level and close coupled cistern.



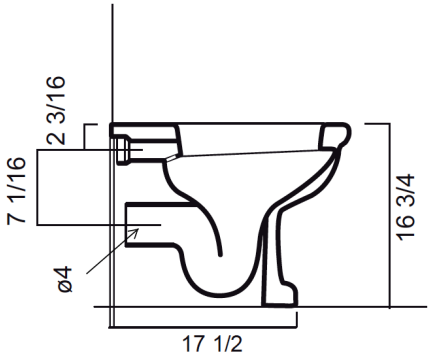
Side view with concealed cistern



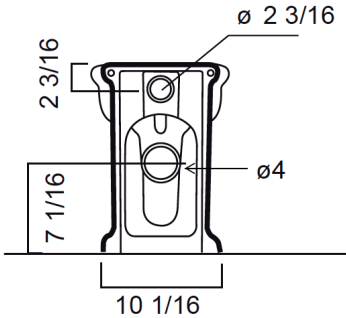
Top view



Side view, p-trap pan



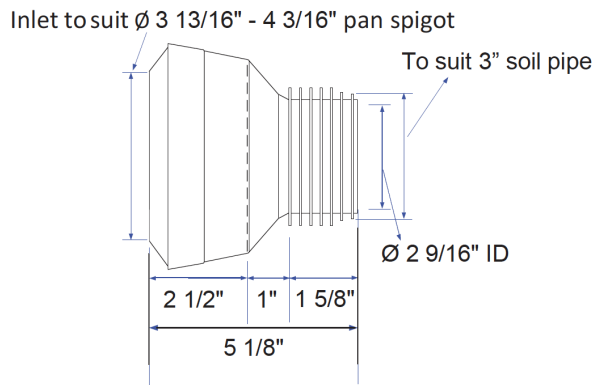
Back view



# PARIS LAVATORY PAN WITH CONCEALED CISTERN - US

(Page 2/2)

## Mac 3" Pan Adaptor for US



## Technical Details

Assembly/Configuration: Pan for concealed cistern (two types available separately)

Bowl shape: Elongated

Flush motion: Flush lever / Flush plate

Flush position: Right hand / Centre

Flush Primary Material: Brass

Flushing Technology: Syphonic Flush / Flush valve

Minimum recommended cistern height (floor to top of cistern):  $33 \frac{7}{16}''$

Depth max:  $21 \frac{1}{4}''$

Cistern inlet connection size:  $\frac{1}{2}''$

Cistern inlet connection type: Male threading

Installation type: Concealed cistern

Outer Rim Shape: Elongated

Rim height:  $16 \frac{3}{4}''$

Application: Bathroom / cloakroom

Water Pressure Maximum: 85.0 psi

Water Pressure Minimum: 20.0 psi

Water Pressure Recommended: 45.0 psi

Outlet size: 4"

Water consumption: 1.585 USA gallons

## Product Notes

All dimensions are in inches and based on original specifications and are subject to change and variation.