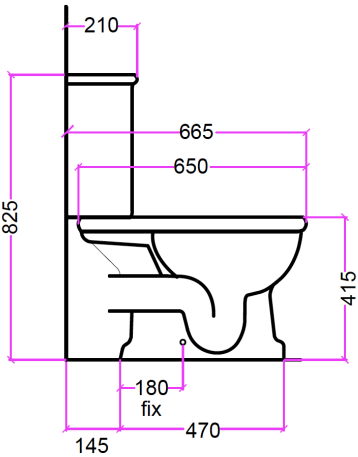


PARIS LAVATORY PAN WITH CLOSE COUPLED CISTERN

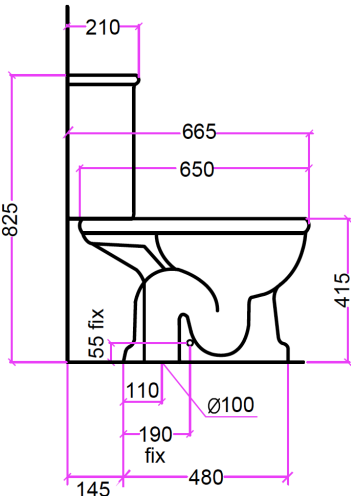
The Paris lavatory pan goes very well with the original French basins with softer detailing. It is also available to use with a low level, high level or concealed cistern and is available as an S or P-trap.



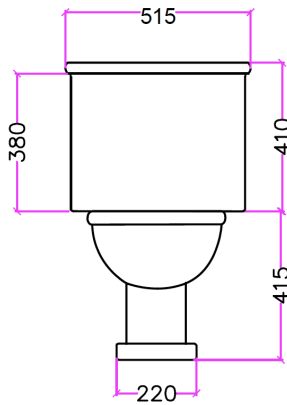
Side view with p-trap pan



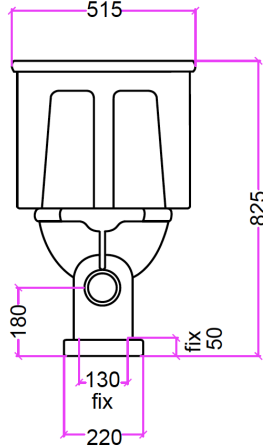
Side view with s-trap pan



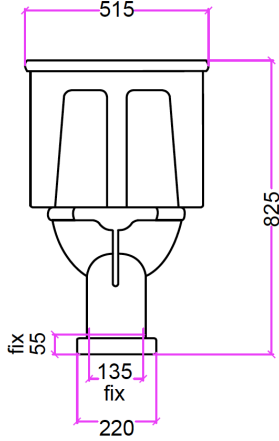
Front view of p and s-trap pans



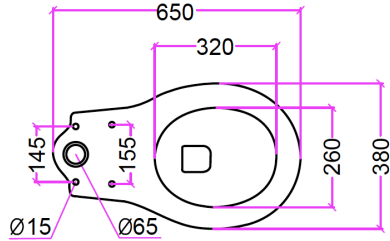
Back view with p-trap pan



Back view with s-trap pan



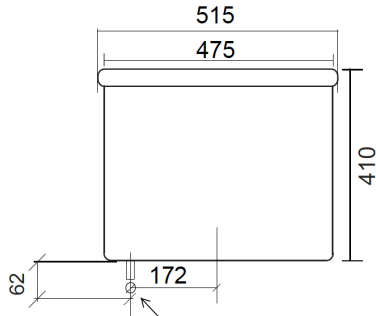
Ariel view of p and s-trap pans



PARIS LAVATORY PAN WITH CLOSE COUPLED CISTERN

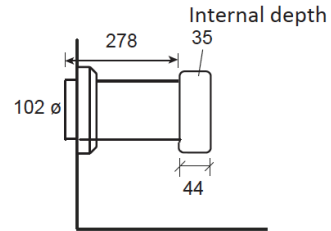
(Page 2/2)

Cistern inlet pipe position diagram
Supplied with a bent service valve kit

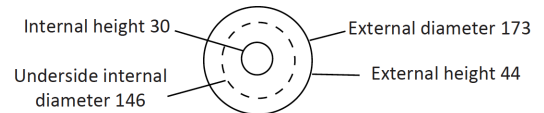


Position of cold feed pipe from wall.
Bent service valve centre.

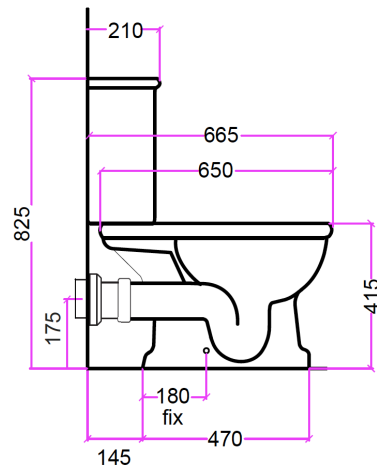
Horizontal pan connector



Collar for horizontal pan connector



Side view with optional pan connector



Technical Details

Assembly/Configuration: 2 piece water closet + cistern

Bowl shape: Elongated

Flush motion: Flush handle

Flush position: Right hand

Flush Primary Material: Brass

Flushing Technology: Syphonic Flush / Dudley Turbo

Depth max: 665mm

Height max: 825mm

Inlet connection size: 1/2"

Inlet connection type: Male Threading

Installation type: Wall hung cistern / coupled to pan cistern

Cistern width: 515mm

Outer Rim Shape: Elongated

Rim height: 415mm

Application: Bathroom / Cloakroom

Water Pressure Maximum: 6.0 bar

Water Pressure Minimum: 1.5 bar

Water Pressure Recommended: 3.0 bar

Outlet size: 102mm

Water consumption: 6 litre

Optional straight china pan connector available

Product Notes

All dimensions are in millimeters (or inches where available) and based on original specifications and are subject to change and variation.