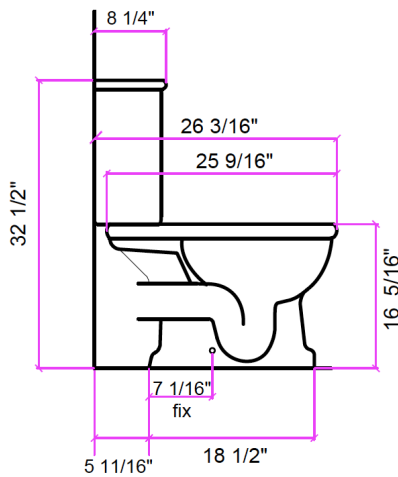


PARIS LAVATORY PAN WITH CLOSE COUPLED CISTERN - US

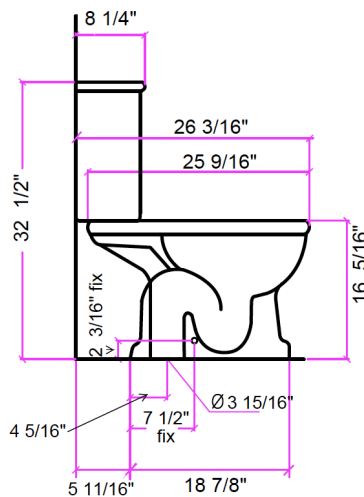
The Paris lavatory pan goes very well with the original French basins with softer detailing. It is also available to use with a low level, high level or concealed cistern and is available as an S or P-trap.



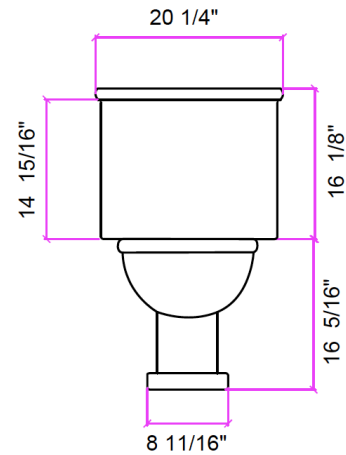
Side view with p-trap pan



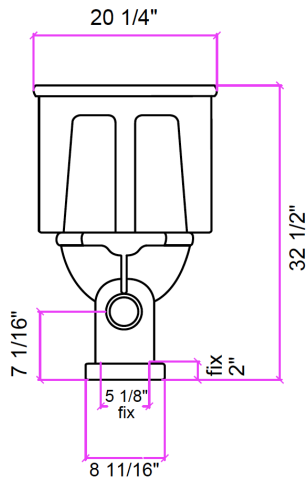
Side view with s-trap pan



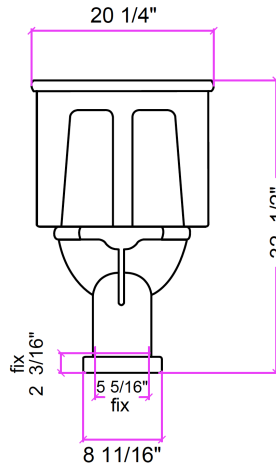
Front view of p and s-trap pans



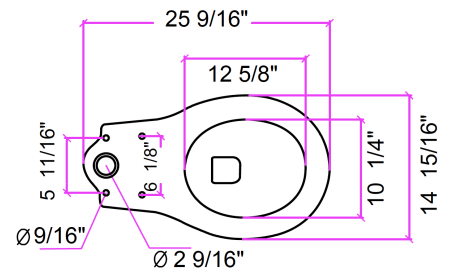
Back view with p-trap pan



Back view with s-trap pan



Ariel view of p and s-trap pans

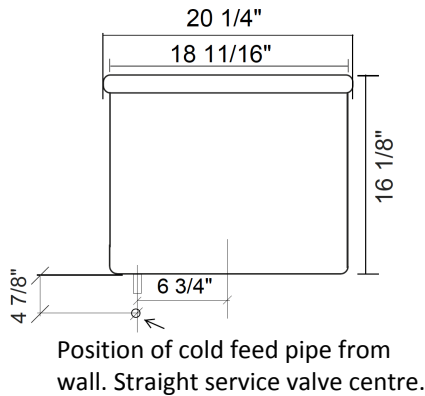


THE
WATER/
MONOPOLY

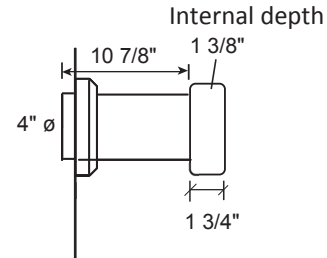
PARIS LAVATORY PAN WITH CLOSE COUPLED CISTERN - US

(Page 2/2)

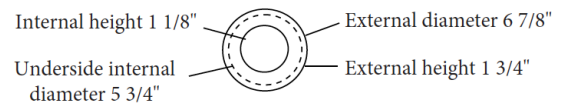
Cistern inlet pipe position diagram
Supplied with a straight service valve kit



Horizontal pan connector



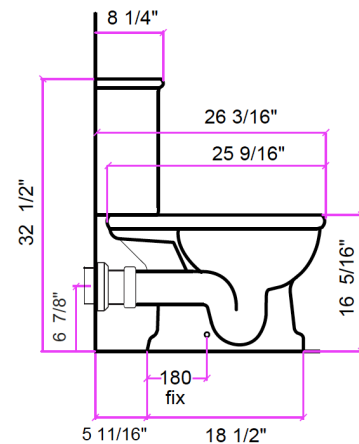
Collar for horizontal pan connector



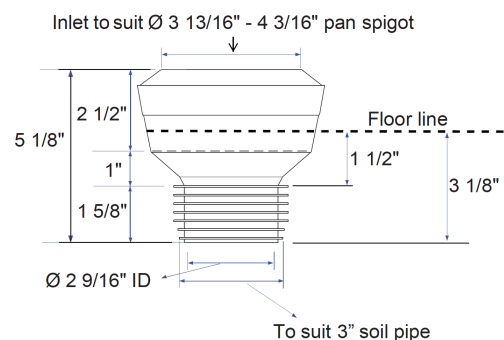
Technical Details

Assembly/Configuration: 2 piece water closet + close coupled cistern
Bowl shape: Elongated
Flush motion: Flush lever
Flush position: Right hand
Flush Primary Material: Brass
Flushing Technology: Syphonic Flush
Depth max: 26 3/16"
Height max: 32 1/2"
Inlet connection size: 1/2"
Inlet connection type: Male Threading
Installation type: Wall hung cistern / coupled to pan cistern
Cistern width: 20 1/4"
Outer Rim Shape: Elongated
Rim height: 16 5/16"
Application: Bathroom / Cloakroom
Water Pressure Maximum: 85.0 psi
Water Pressure Minimum: 20.0 psi
Water Pressure Recommended: 45.0 psi
Outlet size: 4"
Water consumption: 1.585 USA gallons
Optional straight china pan connector available

Side view with optional pan connector



Mac 3" Pan Adaptor for US



Product Notes

All dimensions are in inches and based on original specifications and are subject to change and variation.