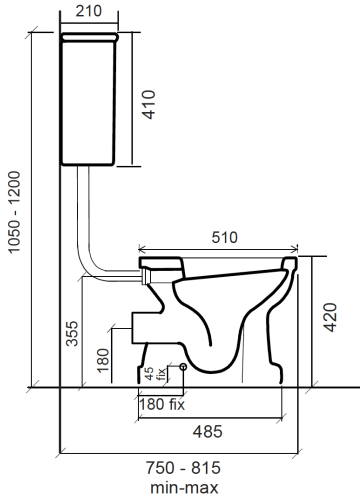


PARIS LAVATORY PAN WITH LOW LEVEL CISTERN

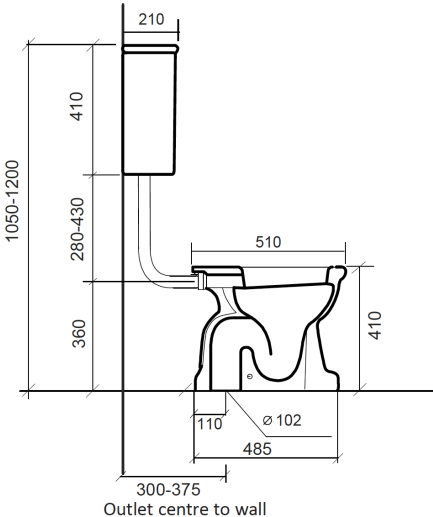
The Paris lavatory pan goes very well with the original French basins with softer detailing. It is also available to use with a high level, close coupled or concealed cistern and is available as an S or P-trap.



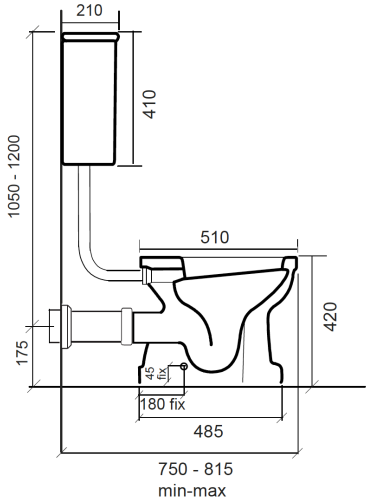
Side view with p-trap pan



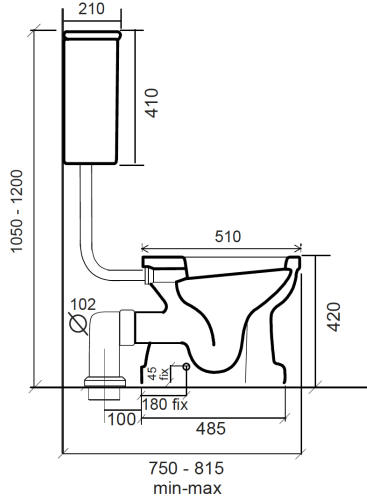
Side view with s-trap pan



Side view (p-trap) with optional horizontal pan connector



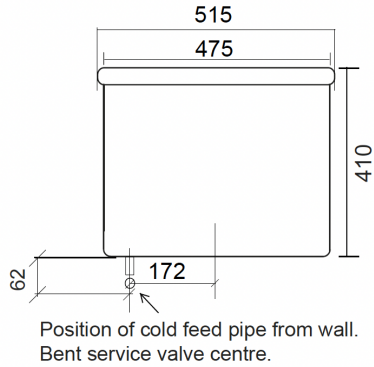
Side view (p-trap) with optional vertical pan connector



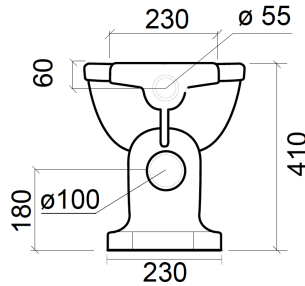
PARIS LAVATORY PAN WITH LOW LEVEL CISTERN

(Page 2/2)

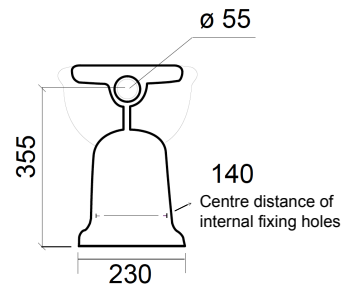
Cistern inlet pipe position diagram



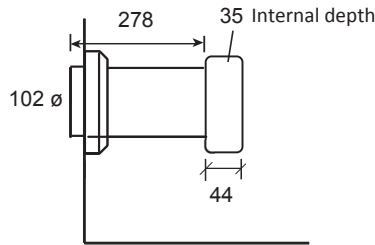
Back view of p-trap pan



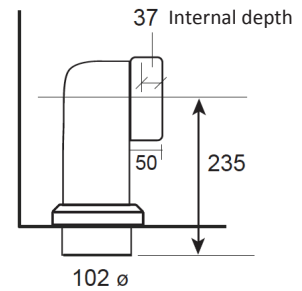
Back view of s-trap pan



Horizontal pan connector



Vertical pan connector



Technical Details

Assembly/Configuration: 2 piece water closet + low level cistern

Bowl shape: Elongated

Flush motion: Flush lever

Flush position: Right hand

Flush Primary Material: Brass

Flushing Technology: Syphonic Flush

Depth max: 815mm

Inlet connection size: 1/2"

Inlet connection type: Male threading

Installation type: Wall hung cistern / freestanding pan

Cistern width: 515mm

Rim height: P trap 420mm / S trap 410mm

Application: Bathroom / Cloakroom

Water Pressure Maximum: 6.0 bar

Water Pressure Minimum: 1.5 bar

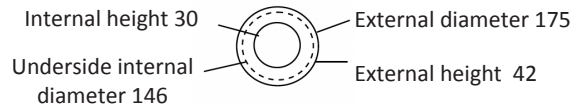
Water Pressure Recommended: 3.0 bar

Outlet size: 100mm

Water consumption: 6 litre

Optional straight or vertical china pan connector available

Collar for horizontal and vertical pan connector



Product Notes

All dimensions are in millimeters and based on original specifications and are subject to change and variation.