

LONSDALE BATH

The Lonsdale bath is a reproduction of an early 20th Century American double ended bath and is manufactured from recycled brake discs. The image shows the tub with a painted exterior finish. It is also available with a polished & lacquered or patinated exterior finish. The bath can also be manufactured with or without tap holes on the roll.

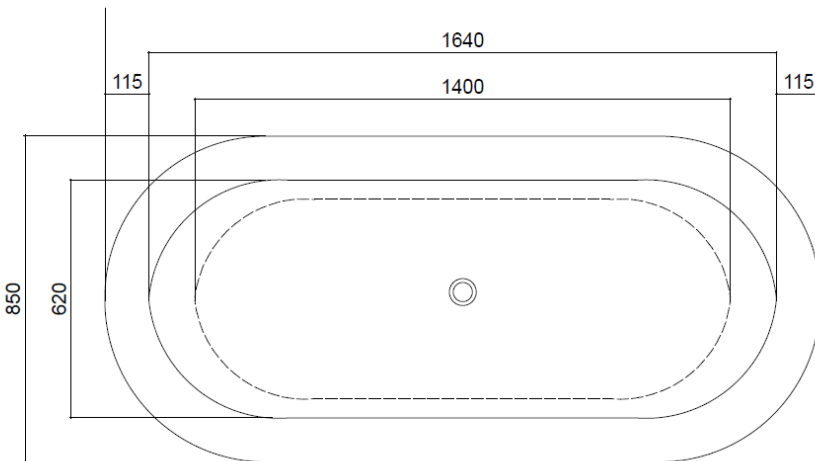
Length: 1870mm / 74"

Width: 850mm / 33.5"

Height: 585mm / 23"

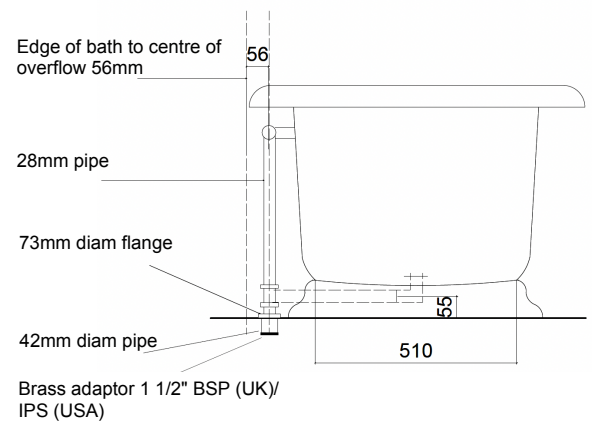
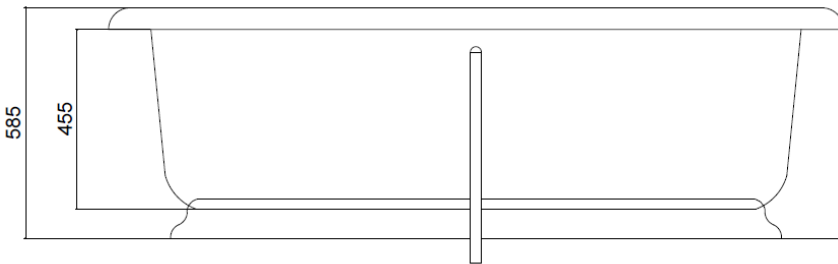
Capacity: 280 litres / 62 UK gallons / 74 US gallons

Dry weight: 250kg / 550lb



The Lonsdale Bath
(dims in mm)

O/A Length	1870
O/A Width	850
O/A Height	585
Int Length	1640 apr
Int Width	620 apr
Int Depth	455 apr



The outlet pipe can be used horizontally by turning the 'T' and can be supplied with an extra pipe and elbow if wishing to go into the floor further behind the bath if specified.

Waste: 1 1/2" BSP; Overflow: 28mm into 42mm waste pipe. (USA comes with an adaptor, 1 1/2" IPS).

We only supply fittings above the floor. We do not supply the trap; the trap needs to go beneath the floor.

Dimensions are given in mm; they are a guide only and may vary from bath to bath.