

# LONSDALE BATH

The Lonsdale bath is a reproduction of an early 20<sup>th</sup> Century American double ended bath and is manufactured from recycled brake discs. The image shows the tub with a painted exterior finish. It is also available with a polished & lacquered or patinated exterior finish. The bath can also be manufactured with or without tap holes on the roll.

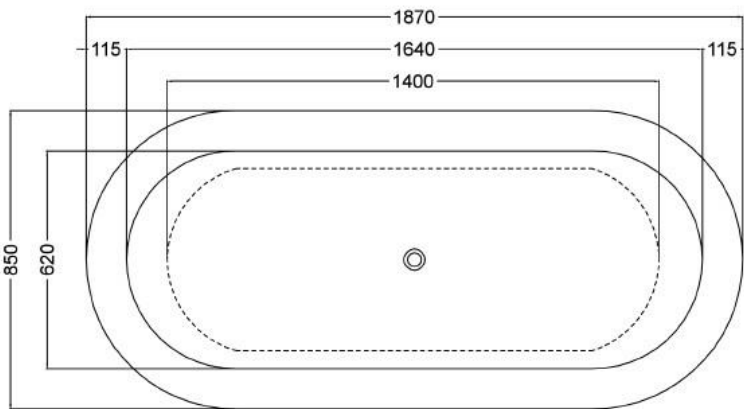
Length: 1870mm / 74"

Width: 850mm / 33.5"

Height: 585mm / 23"

Capacity: 280 litres / 62 UK gallons / 74 US gallons

Weight: 250kg / 550lb



The Lonsdale Bath	
O/A Length	1870
O/A Width	850
O/A Height	585
Int. Length	1735
Int. Width	720
Int. Depth	455

Notes
The outlet pipe can be used horizontally by turning the 'T' and can be supplied with an extra pipe and elbow if wishing to go in to the floor further behind the bath.
Outlet sizes: Waste: 1 1/2" BSP Overflow: 28mm into 42mm waste pipe
Note: The dimensions given are a guide only and may vary from bath to bath

