

EDGE OF BATH TO
CENTRE OF OVERFLOW
18MM

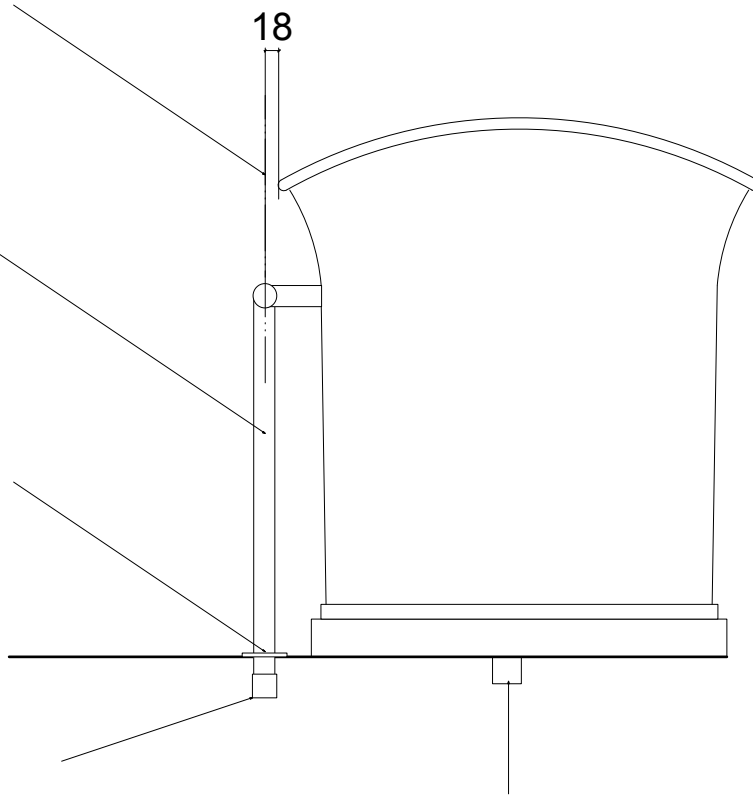
18

28MM DIAM PIPE

59MM DIAM COLLAR

1 1/4" RUBBER REDUCER
NB FOR USA 1" ADAPTER
ALSO SUPPLIED

1 1/2" WASTE



Empire Bath on Plinth

O/A Length	1560
O/A Width	630
O/A Height	720
Int Length	1265 apr
Int Width	520 apr
Int Depth	590 apr

Measurements shown are
for guidelines only
(All dims shown in MM)