

# MARTHA BATH - US

The Martha bath is a reproduction of a late 19th Century French double ended bath. Hand made and finished. The image shows polished copper inside and out, both of which can be lacquered or left unlacquered to patinate naturally.

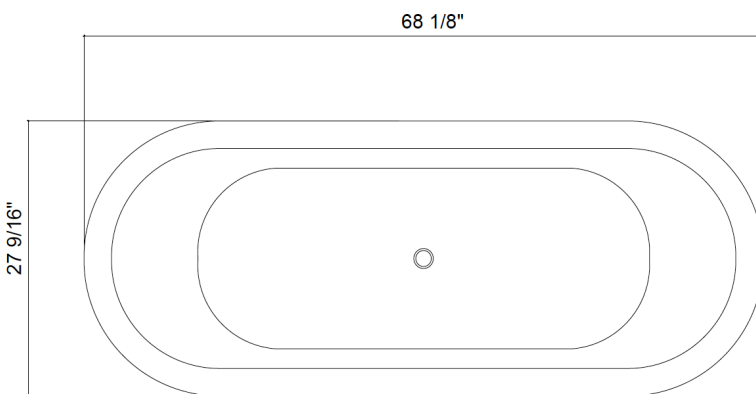
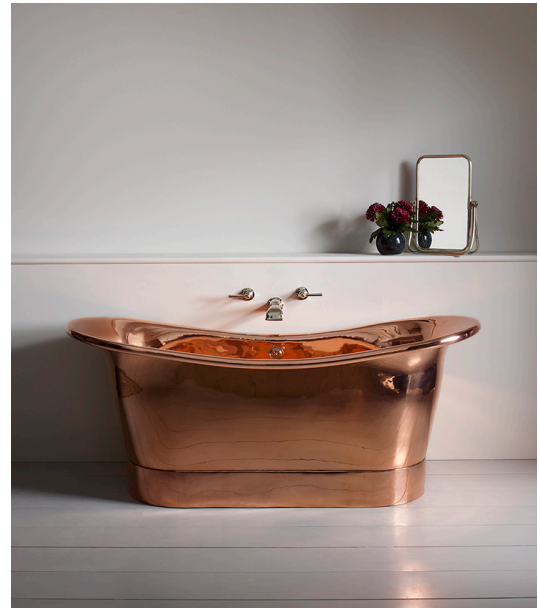
Length: 68 1/8"

Width: 27 9/16"

Height: 28 9/16"

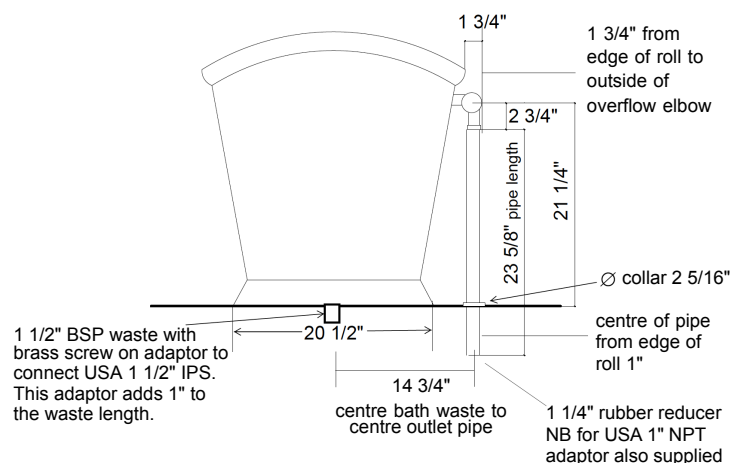
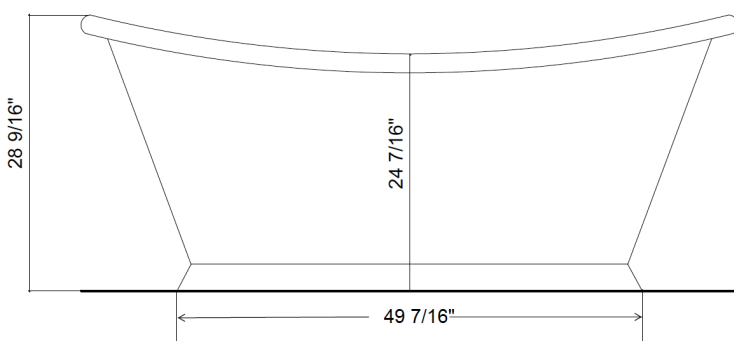
Capacity: 74 US Gallons

Dry weight: Approximately 110lb



Martha Copper Bath	
O/A Length	68 1/8"
O/A Width	27 9/16"
O/A Height	28 9/16"
Int Length	49 3/16"
Int Width	24"
Int Depth	19 11/16"

Measurements shown are for guidelines only  
(All dims shown in inches)



Waste: 1 1/2" BSP // 1 1/2" IPS; Overflow: 28mm / 1 1/4" rubber reducer.

We only supply fittings above the floor. We do not supply the trap; the trap needs to go beneath the floor. Dimensions are given in inches, they are a guide only and may vary from bath to bath.