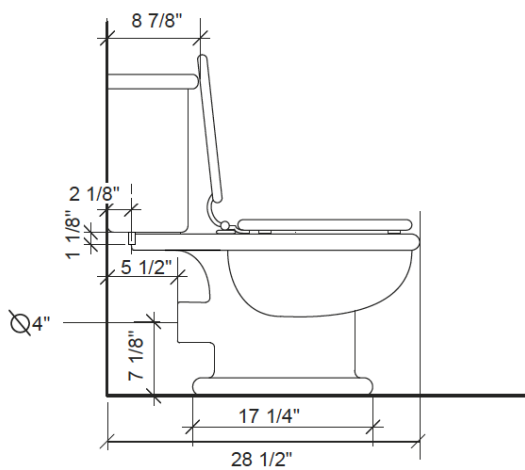


ROCKWELL LAVATORY PAN WITH CLOSE COUPLED CISTERN - USA

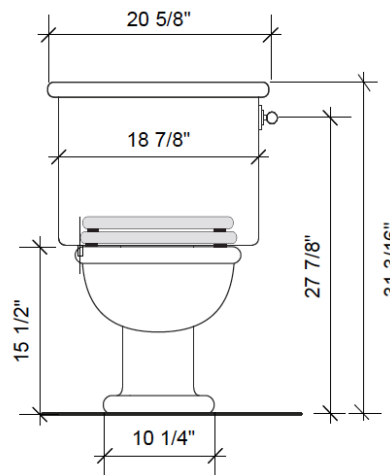
The Rockwell lavatory pan is shown here with a close coupled cistern, seat and flush handle in green/Willow. It can also be used with a low level or concealed cistern. Other colors available: white/Snowdrop, blue/Powder and yellow/Sherbet. Manufactured in England in the traditional manner.



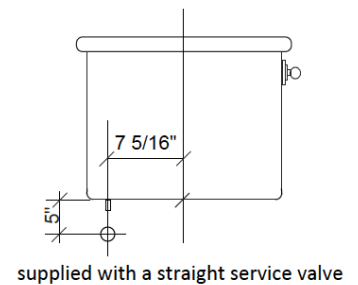
Side view



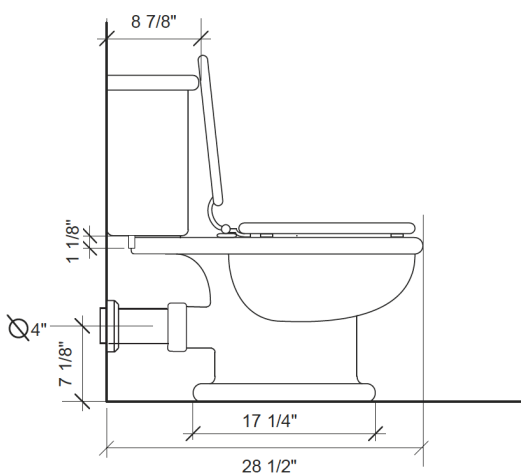
Front view



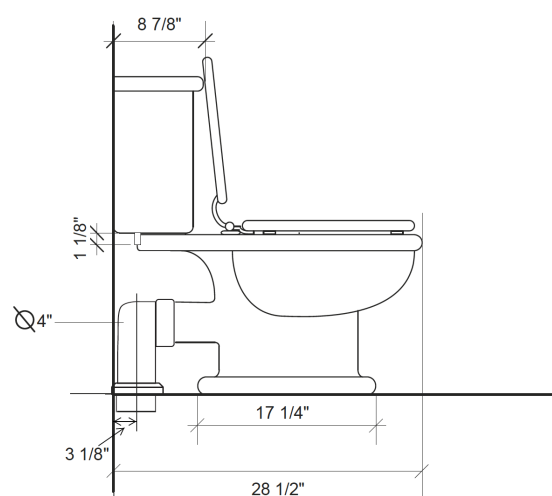
Cistern inlet pipe position diagram



Side view with optional horizontal pan connector



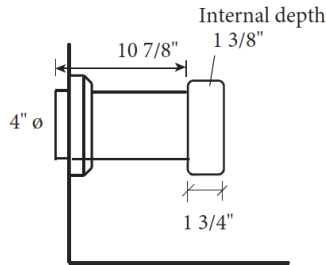
Side view with optional vertical pan connector. Collar can only be used if collar is cut or wall is cut by 3/8"



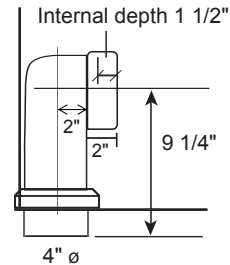
ROCKWELL LAVATORY PAN WITH CLOSE COUPLED CISTERN - USA

(Page 2/2)

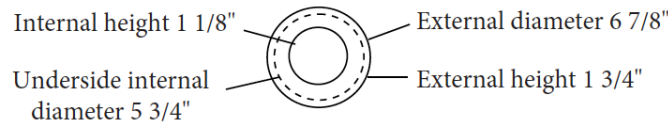
Horizontal pan connector



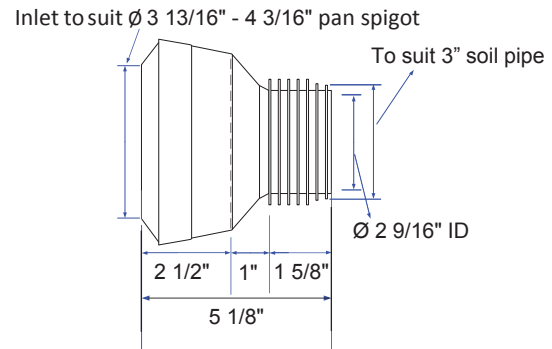
Vertical pan connector



Collar for horizontal and vertical pan connector



Mac 3" Pan Adaptor for US



Technical Details

Assembly/Configuration: 2 piece water closet + cistern
 Bowl shape: Elongated
 Flush motion: Flush handle
 Flush position: Right
 Flush Primary Material: Brass
 Flushing Technology: Syphonic Flush / Dudley Turbo
 Depth: 28 1/2"
 Height: 31 3/16"
 Inlet connection size: 1/2"
 Inlet connection type: Male Threading
 Installation type: Wall hung cistern / coupled to pan cistern width: 20 5/8"
 Outer Rim Shape: Elongated
 Rim height: 15 1/2"
 Application: Bathroom / Cloakroom
 Trapseal depth: 2.1/2"
 Water Pressure Maximum: 85.0 psi
 Water Pressure Minimum: 20.0 psi
 Water Pressure Recommended: 45.0psi
 Outlet size: 4"
 Water consumption: 1.585 USA gallons
 Optional china pan connector, straight or 90° available

Codes and Standards

Ceramic complies to CE Standards
 Flush mechanism complies to WRAS Standards



Product Notes

All dimensions are based on original specifications and are subject to change and variation.