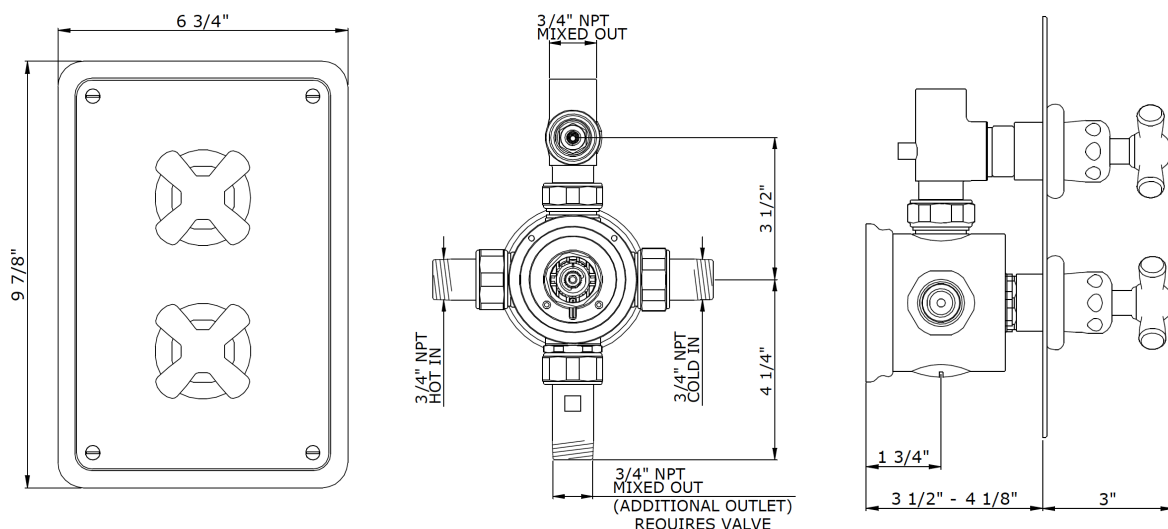


ROCKWELL WALL MOUNTED CONCEALED THERMOSTATIC CONTROL AND SHUT OFF VALVE WITH OPTIONAL SECONDARY OUTLET FOR BATH SPOUT - US

Rockwell wall mounted thermostatic control and shut off valve with optional secondary outlet for bath spout, mounted on rectangular plate. The crossheads are available in either all metal or Rockwell colored ceramic: lilac/Bonbon, orange/Squash, black/Graphite/Ink, white/Snowdrop, grey/Seattle, green/Willow, blue/Powder, yellow/Sherbet, red/Lipstick and pale pink/Conch. Manufactured in England.



Technical Details

Control valve rough in depth: Max 4 1/8"

Control valve rough in depth : Min 3 1/2"

Primary metal: Brass

Trim height: 9 7/8"

Trim width: 6 3/4"

Integrated shut off valve: Yes

Number of handles: 2

Suggested application: Bath / shower

Wax capsule thermostatic cartridge with 1 second supply failure response

Adjustable temperature safety override stop (pre-set to 100°F)

Inlet connection size: male 3/4" NPT

Outlet connection size: female 3/4" NPT

Secondary outlet: Available, optional extra

Temp Min: 52°F Temp Max: 118°F

Max inlet temp: 180°F

Recommended max working pressure: 75psi

Recommended min working pressure: 7psi

Packed weight: 14lb

Product Notes

All dimensions are based on original specifications and are subject to change and variation.