

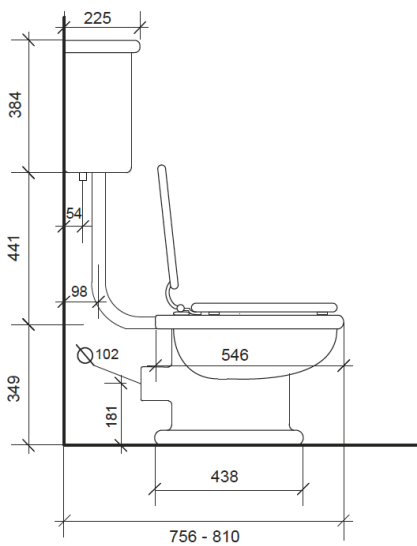
ROCKWELL LAVATORY PAN WITH LOW LEVEL CISTERN

The Rockwell lavatory pan is shown here with a low level cistern, seat and flush handle in white/ Snowdrop. Other Rockwell colored ceramics available: green/Willow, blue/Powder and yellow/Sherbet. It can also be used with a close coupled or concealed cistern.

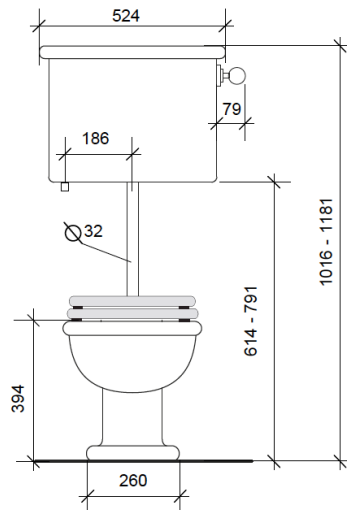
Produced in a traditional manner in England.



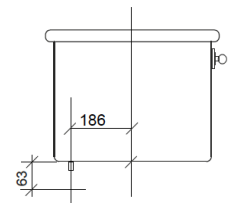
Side view



Front view

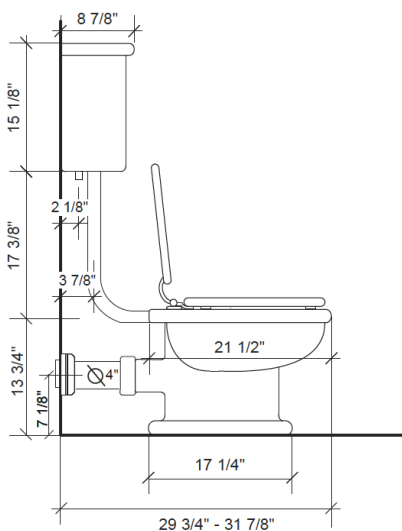


Cistern inlet pipe position diagram

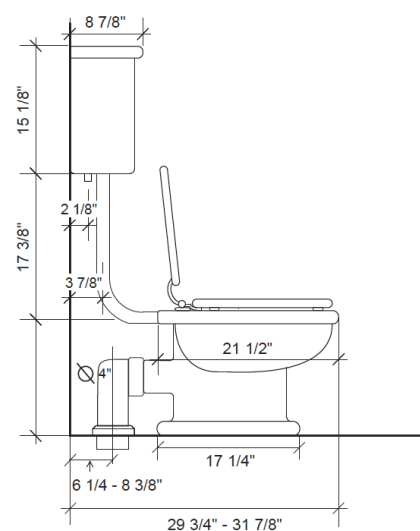


supplied with a e t service valve

Side view with optional horizontal pan connector



Side view with optional vertical pan connector

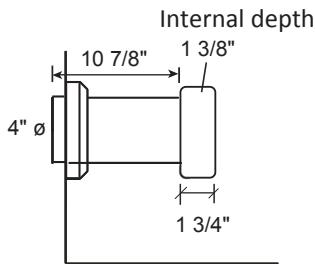


THE
WATER/
MONOPOLY

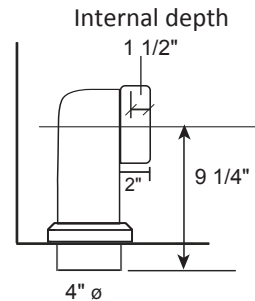
ROCKWELL LAVATORY PAN WITH LOW LEVEL CISTERN - USA

(Page 2/2)

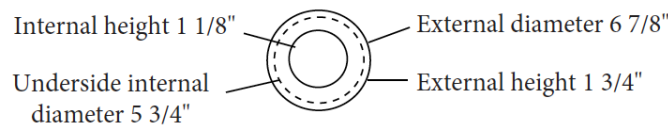
Horizontal pan connector



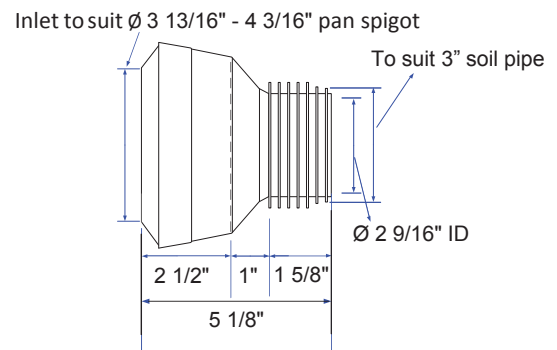
Vertical pan connector



Collar for horizontal and vertical pan connector



Mac 3" Pan Adaptor for US



Technical Details

Assembly/Configuration: 2 piece water closet + cistern
 Bowl shape: Elongated
 Flush motion: Flush handle
 Flush position: Right
 Flush Primary Material: Brass
 Flushing Technology: Syphonic Flush / Dudley Turbo
 Depth: 29 3/4" - 31 7/8"
 Height: 40" - 46 1/2"
 Inlet connection size: 1/2"
 Inlet connection type: Male BSP
 Installation type: Wall mounted cistern / coupled to pan
 Cistern width: 20 5/8"
 Outer Rim Shape: Elongated
 Rim height: 15 1/2"
 Application: Bathroom / Cloakroom
 Trapseal depth: 2.1/2"
 Water Pressure Maximum: 85.0 psi
 Water Pressure Minimum: 20.0 psi
 Water Pressure Recommended: 45.0psi
 Outlet size: 4"
 Water consumption: 1.585 US gallons
 Optional china pan connector, straight or 90° available

Codes & Standards

Ceramic complies to CE Standards
 Flush mechanism complies to WRAS Standards



Product Notes

All dimensions are based on original specifications and are subject to change and variation.

THE
WATER/
MONOPOLY