

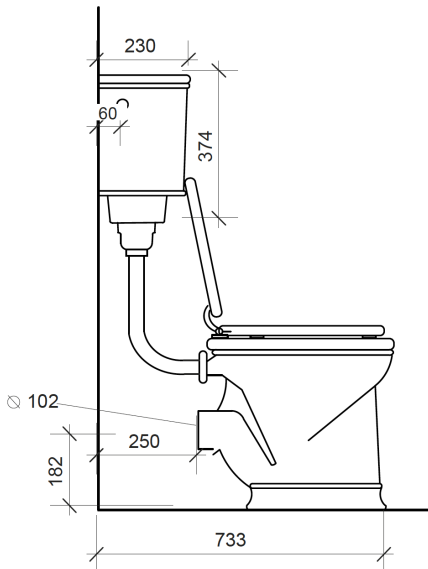
# LONSDALE LAVATORY WITH LOW LEVEL CISTERN

The Lonsdale lavatory pan is shown with a low level cistern, matt black painted wooden seat and a graphite flush handle. It can be used with a high level or a concealed cistern.

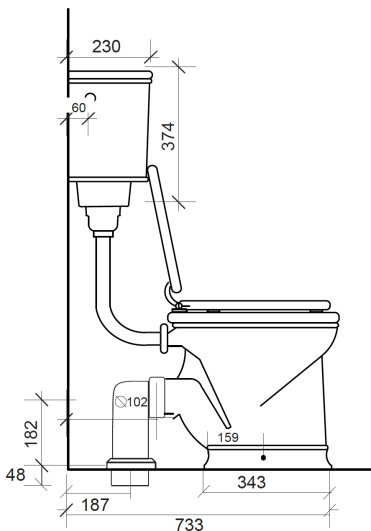
Produced in a traditional manner in England.



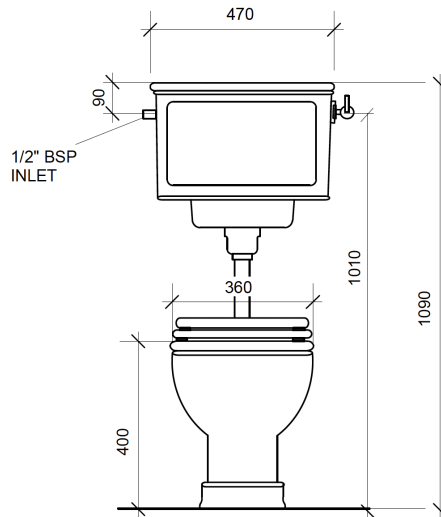
Side view



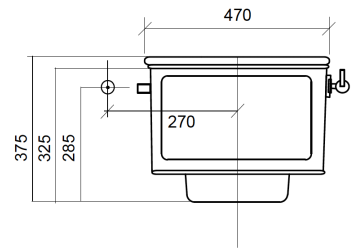
Side view with optional vertical pan connector



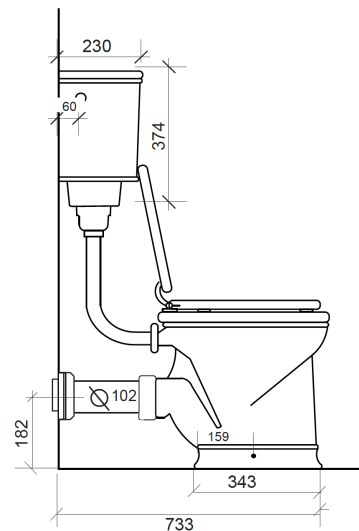
Front view



Cistern inlet pipe position diagram



Side view with optional horizontal pan connector

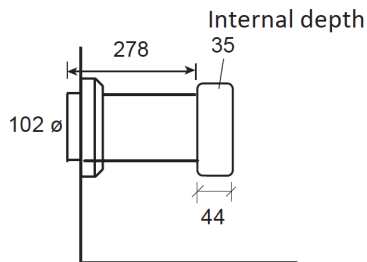


THE  
WATER/  
MONOPOLY

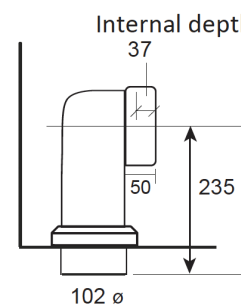
# LONSDALE LAVATORY PAN WITH LOW LEVEL CISTERN

(page 2/2)

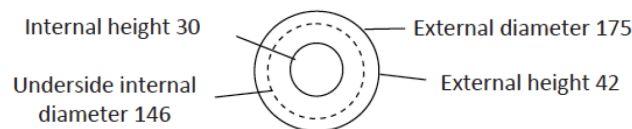
Horizontal pan connector



Vertical pan connector



Collar for horizontal and vertical pan connector



## Technical Details

Flush motion: Syphonic with flush handle

Depth: 733mm

Height: 1090mm

Inlet connection size: 1/2"

Inlet connection type: Male BSP

Cistern width: 470mm

Rim height: 400mm

Water Pressure Maximum: 6 bar

Water Pressure Minimum: 1 bar

Outlet size: 102mm

Water consumption 6 litres

Optional china pan connector, straight or 90° available

Fixing is through side of pan on to horizontal bent brackets under the pan (supplied)

## Codes & Standards

Ceramic complies to CE Standards

Flush mechanism complies to WRAS Standards



## Product Notes

All dimensions are based on original specifications and are subject to change and variation.