

ROCKWELL DECK MOUNTED TAPS, HIGH SPOUT

Rockwell deck mounted basin taps with high spout. The crossheads are available in either all metal or Rockwell coloured ceramic: lilac/Bonbon, orange/Squash, black/Graphite/Ink, white/Snowdrop, grey/Seattle, green/Willow, blue/Powder, yellow/Sherbet, red/Lipstick and pale pink/Conch. We also offer a colour matching service. Please contact the office for further information. Manufactured in England.

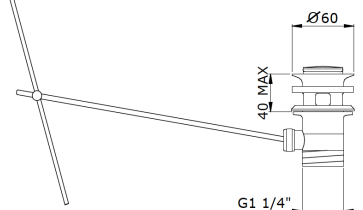
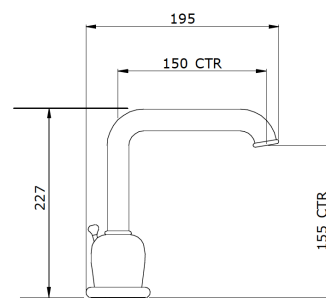
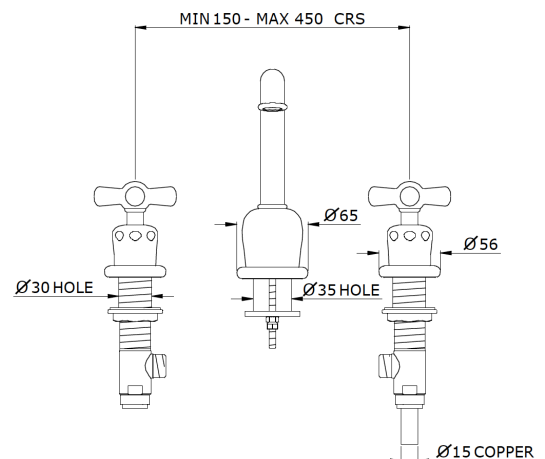


Technical Details

Deck thickness maximum: 45mm
Drain depth maximum: 40mm
Drain hole diameter: 44mm
Drain style: pop-up
Valve fittings hole diameter: 30mm
Spout fittings hole diameter: 35mm
Handle spread maximum: 450mm
Handle spread minimum: 150mm
Handle turn angle: 1/4 turn
Height: 227mm
Inlet connection size: 1/2" / 15mm
Inlet connection type: male with compression nut
Number of holes: 3
Primary material: brass
Spout swivel: no
Suggested application: basin
Valve material: brass
Water pressure maximum: 6 bar
Water pressure minimum: 1 bar
Water pressure recommended: 2 bar

Product Notes

All dimensions are based on original specifications and are subject to change and variation.



THE
WATER/
MONOPOLY