

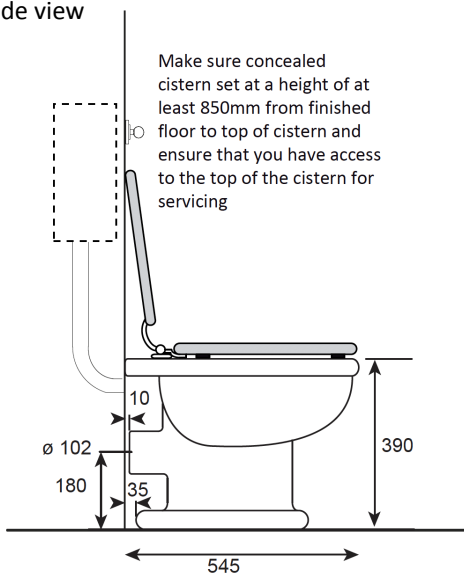
ROCKWELL LAVATORY PAN WITH CONCEALED CISTERN

The Rockwell lavatory pan is shown here with a concealed cistern, seat and flush handle in blue/ Powder. Other Rockwell colored ceramics available: green/Willow, white/Snowdrop and yellow/Sherbet. The Rockwell collection also includes options for close coupled and low level lavatories.

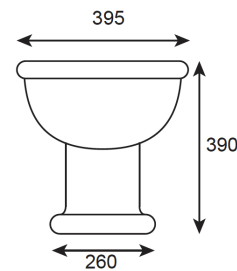
Produced in a traditional manner in England.



Side view



Front view



Technical Details

Assembly/configuration: Pan for concealed cistern (two types sold separately)

Flush motion: Flush lever/ Flush plate

Flushing technology: Syphonic flush / Flush valve

Flush position: Right hand / Centre

Flush primary material: Brass

Depth: 545mm

Minimum recommended cistern height (from floor to top of cistern): 850mm

Inlet connection size: 1/2"

Cistern inlet connection type: Male threading

Cistern width: 524mm

Rim height: 390mm

Bowl shape: Elongated

Water pressure maximum: 6 bar

Water pressure minimum: 1 bar

Water pressure recommended: 3 bar

Outlet size: 102mm

Water consumption: 6 litres

Codes & Standards

Ceramic complies to CE Standards

Flush mechanism complies to WRAS Standards



Product Notes

All dimensions (in mm) are based on original specifications and are subject to change and variation.

THE
WATER/
MONOPOLY

10/14 Lonsdale Road, London, NW6 6RD
+44 (0)20 7624 2636 thewatermonopoly.com

version: 17.11.2020