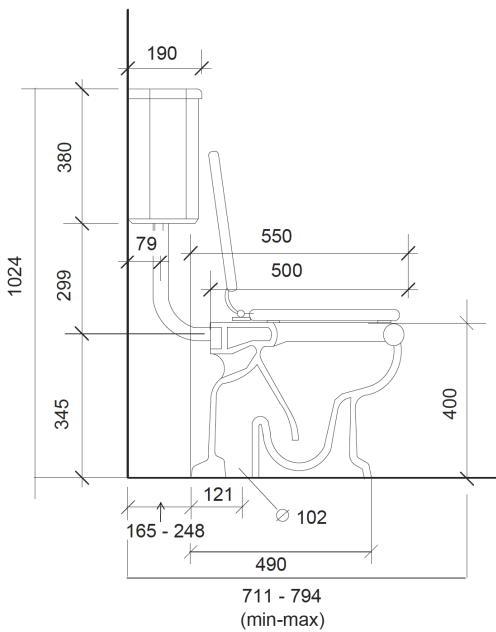


SOHO LAVATORY PAN WITH LOW LEVEL CISTERN

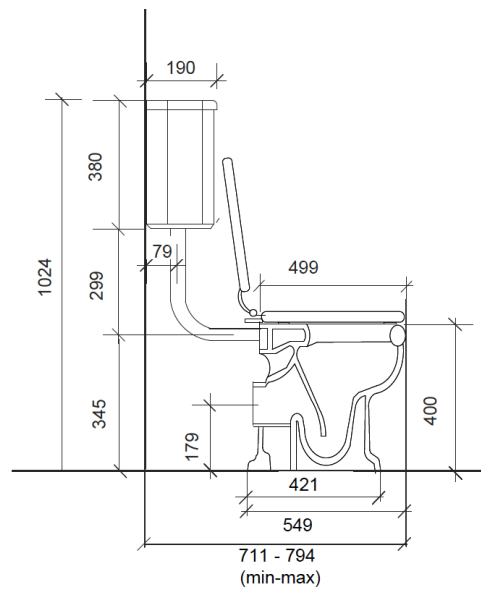
The Soho lavatory pan is shown with a low level cistern, matt black painted wooden seat and a graphite flush handle. It is available as an S trap or a P trap. The Soho collection also includes options for back to wall, close coupled and high level lavatories.



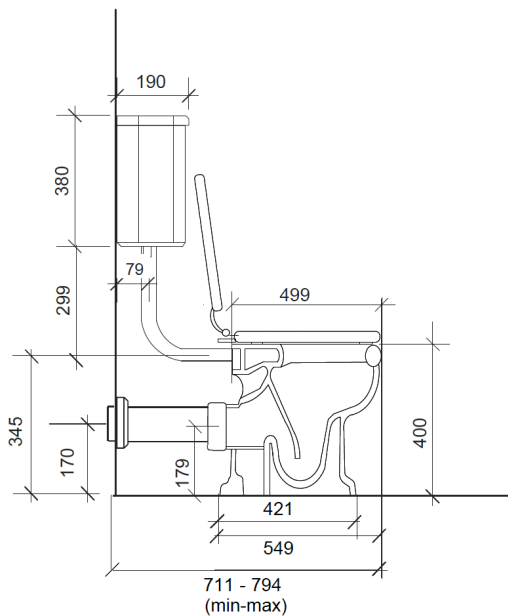
Side view with s-trap pan



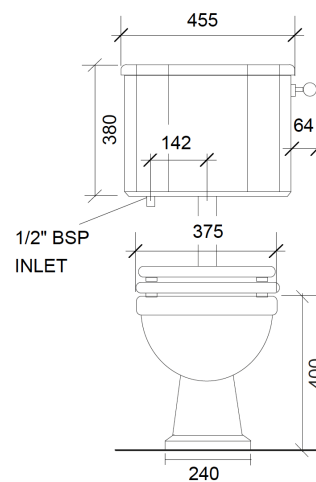
Side view with p-trap pan



Side view with optional pan connector



Front view

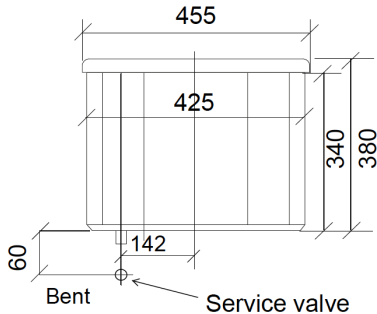


THE
WATER/
MONOPOLY

SOHO LAVATORY PAN WITH LOW LEVEL CISTERN

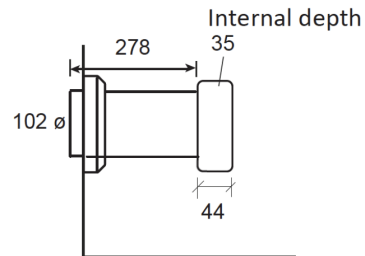
page 2/2

Cistern inlet pipe position diagram

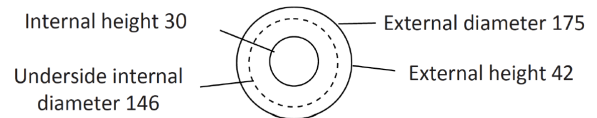


Position of cold feed pipe from wall.

Horizontal pan connector



Collar for horizontal pan connector



Technical Details

Assembly/Configuration: 2 piece water closet + cistern
Bowl shape: Elongated
Flush motion: Flush lever
Flush position: Right hand
Flush Primary Material: Brass
Flushing Technology: Syphonic Flush
Depth max: 794mm
Rim height: 400mm
Inlet connection size: 1/2"
Inlet connection type: Male threading
Installation type: Wall hung cistern / freestanding pan
Outlet size: 102mm
Cistern width: 455mm
Outer Rim Shape: Elongated
Application: Bathroom / Cloakroom
Water Pressure Maximum: 6 bar
Water Pressure Minimum: 1 bar
Water Pressure Recommended: 3 bar
Water consumption 6 litres
Waste outlet options: P (horizontal) or S (vertical)
Optional straight china pan connector available for P trap

Product Notes

All dimensions are based on original specifications and are subject to change and variation.

THE
WATER/
MONOPOLY