

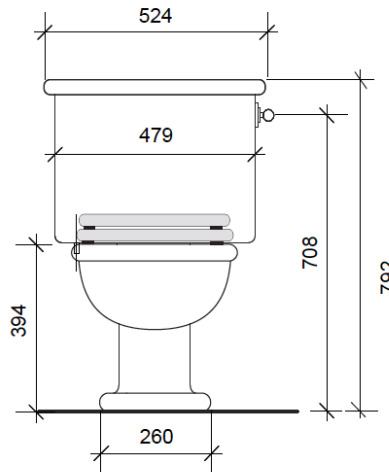
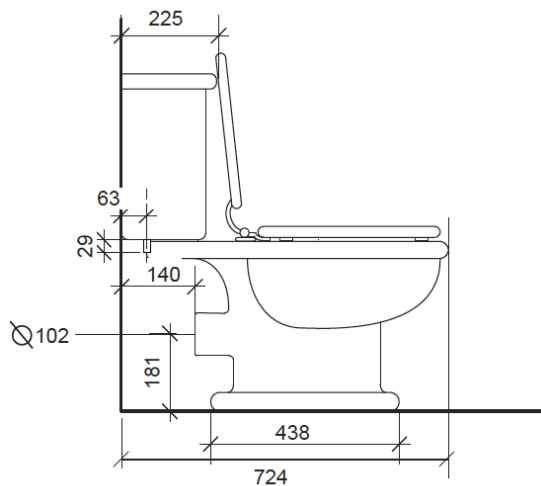
ROCKWELL LAVATORY PAN WITH CLOSE COUPLED CISTERN

The Rockwell lavatory pan is shown here with a close coupled cistern, seat and flush handle in green/Willow. It can also be used with a low level or concealed cistern. Other colors available: white/Snowdrop, blue/Powder and yellow/Sherbet. Manufactured in England in the traditional manner.

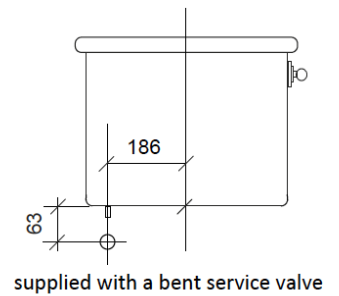


Side view

Front view

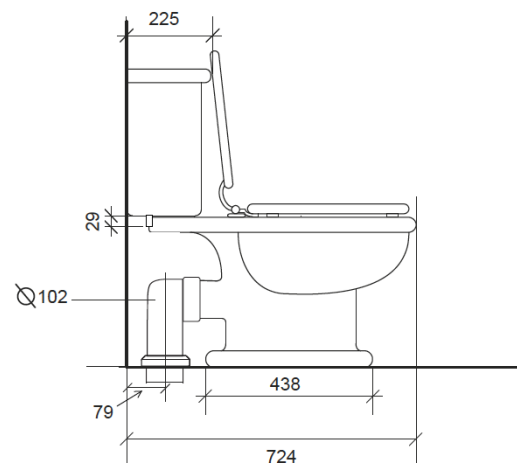
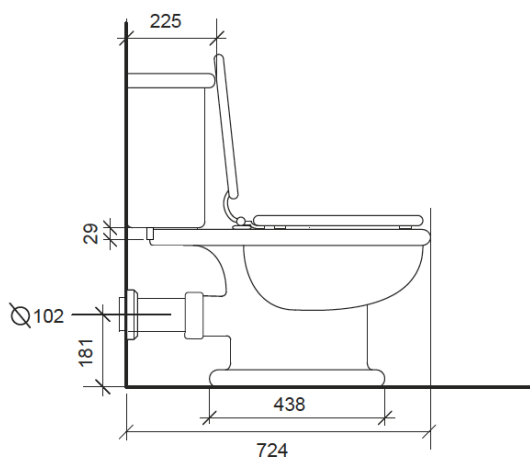


Cistern inlet pipe position diagram



Side view with optional horizontal pan connector

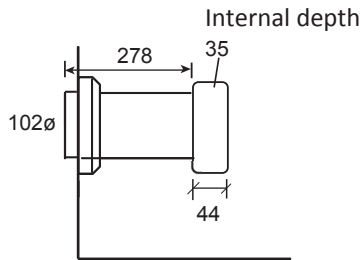
Side view with optional vertical pan connector



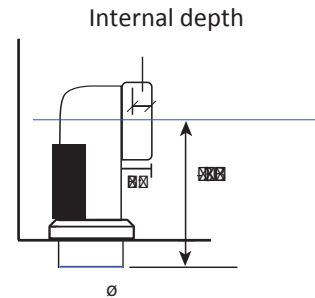
ROCKWELL LAVATORY PAN WITH CLOSE COUPLED CISTERN

(Page 2/2)

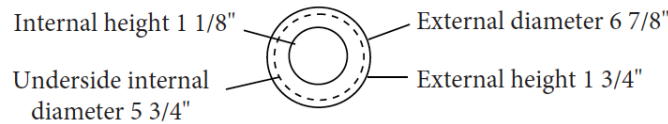
Horizontal pan connector



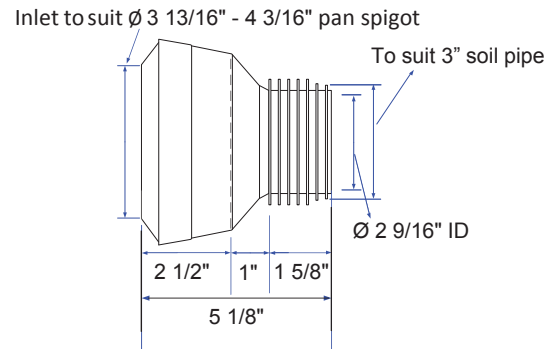
Vertical pan connector



Collar for horizontal and vertical pan connector



Mac 3" Pan Adaptor for US



Technical Details

Assembly/Configuration: 2 piece water closet + cistern
Bowl shape: Elongated
Flush motion: Flush handle
Flush position: Right
Flush Primary Material: Brass
Flushing Technology: Syphonic Flush / Dudley Turbo
Depth: 28 1/2"
Height: 31 3/16"
Inlet connection size: 1/2"
Inlet connection type: Male Threading
Installation type: Wall hung cistern / coupled to pan cistern
width: 20 5/8"
Outer Rim Shape: Elongated
Seat height: 17"
Application: Bathroom / Cloakroom
Trapseal depth: 2.1/2"
Water Pressure Maximum: 85.0 psi
Water Pressure Minimum: 20.0 psi
Water Pressure Recommended: 45.0psi
Outlet size: 4"
Water consumption: 1.585 USA gallons
Optional china pan connector, straight or 90° available

Codes and Standards

Ceramic complies to CE Standards
 Flush mechanism complies to WRAS Standards



Product Notes

All dimensions are based on original specifications and are subject to change and variation.

THE
WATER/
MONOPOLY

10/14 Lonsdale Road, London, NW6 6RD
+44 (0)20 7624 2636 thewatermonopoly.com