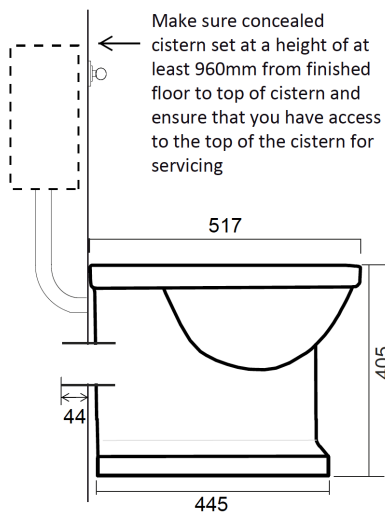


SOHO LAVATORY PAN WITH CONCEALED CISTERN

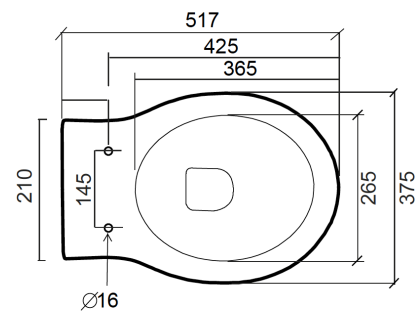
The Soho lavatory pan is shown with a concealed cistern, matt black painted seat and graphite flush handle. The Soho collection also includes options for close coupled, low level and high level lavatories.



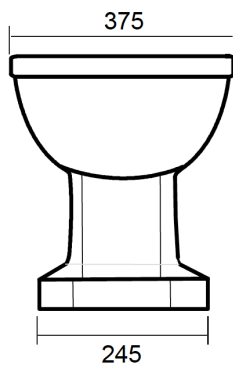
Side view with concealed cistern



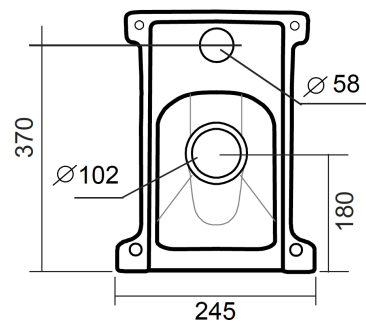
Top view



Front view



Back view



SOHO LAVATORY PAN WITH CONCEALED CISTERN

(Page 2/2)

Technical Details

Assembly/Configuration: Pan for concealed cistern
(two types available separately)

Bowl shape: Elongated

Flush motion: Flush lever / Flush plate

Flush position: Right hand / Centre

Flush Primary Material: Brass

Flushing Technology: Syphonic Flush / Flush valve

Minimum recommended cistern height (floor to top of cistern): 960mm

Depth max: 517mm

Cistern inlet connection size: 1/2"

Cistern inlet connection type: Male Threading

Installation type: Concealed cistern

Outer Rim Shape: Elongated

Rim height: 405mm

Application: Bathroom / Cloakroom

Water Pressure Maximum: 6.0 bar

Water Pressure Minimum: 1.5 bar

Water Pressure Recommended: 3.0 bar

Outlet size: 102mm

Water consumption: 6 litre

Product Notes

All dimensions are in mm and based on original specifications and are subject to change and variation.