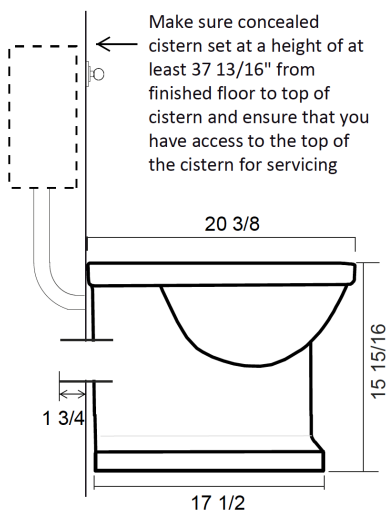


SOHO LAVATORY PAN WITH CONCEALED CISTERN - US

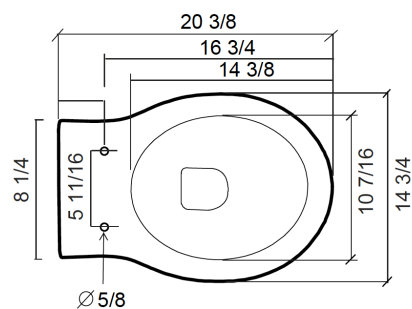
The Soho lavatory pan is shown with a concealed cistern, matt black painted seat and graphite flush handle. The Soho collection also includes options for close coupled, low level and high level lavatories.



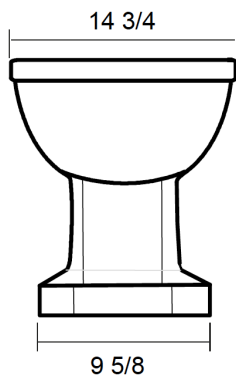
Side view with concealed cistern



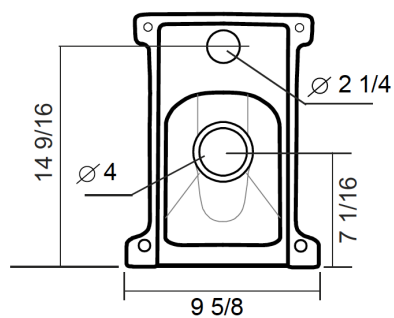
Top view



Front view



Back view



THE
WATER/
MONOPOLY

SOHO LAVATORY PAN WITH CONCEALED CISTERN - US

(Page 2/2)

Technical Details

Assembly/Configuration: Pan for concealed cistern
(two types available separately)

Bowl shape: Elongated

Flush motion: Flush lever / Flush plate

Flush position: Right hand / Centre

Flush Primary Material: Brass

Flushing Technology: Syphonic Flush / Flush valve

Minimum recommended cistern height (floor to top of cistern): 37 13/16"

Depth max: 20 3/8"

Cistern inlet connection size: 1/2"

Cistern inlet connection type: Male Threading

Installation type: Concealed cistern

Outer Rim Shape: Elongated

Rim height: 15 15/16"

Application: Bathroom / Cloakroom

Water Pressure Maximum: 85.0 psi

Water Pressure Minimum: 20.0 psi

Water Pressure Recommended: 45.0 psi

Outlet size: 4"

Water consumption: 1.585 USA gallons

Product Notes

All dimensions are in mm and based on original specifications and are subject to change and variation.