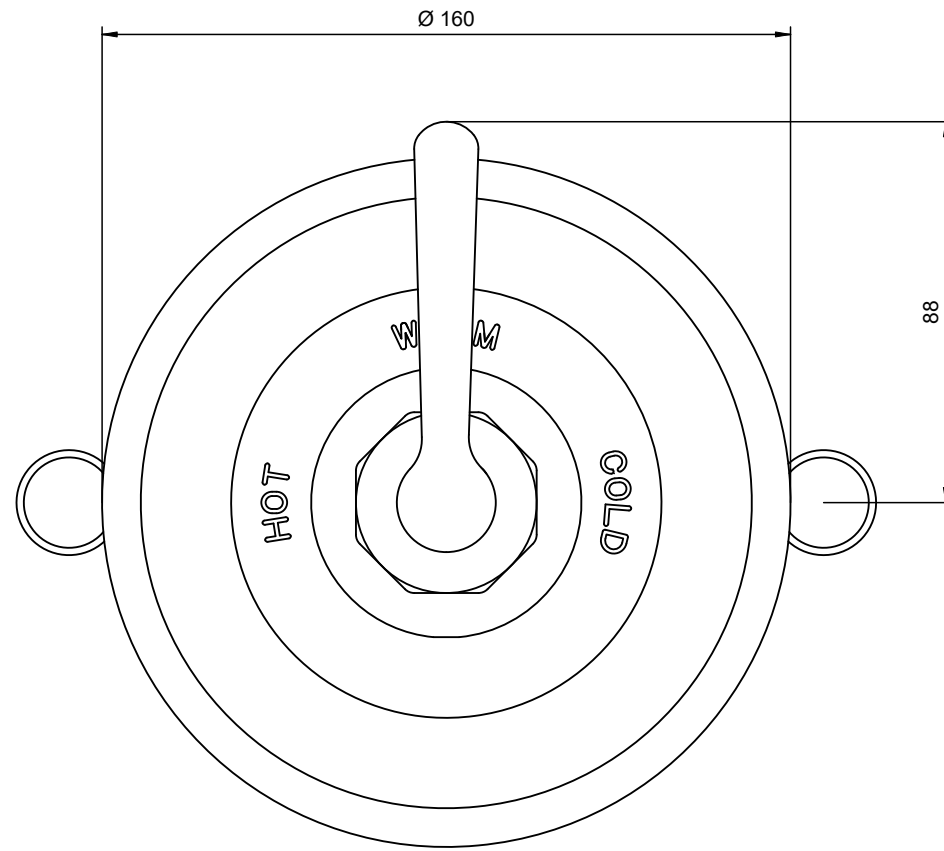
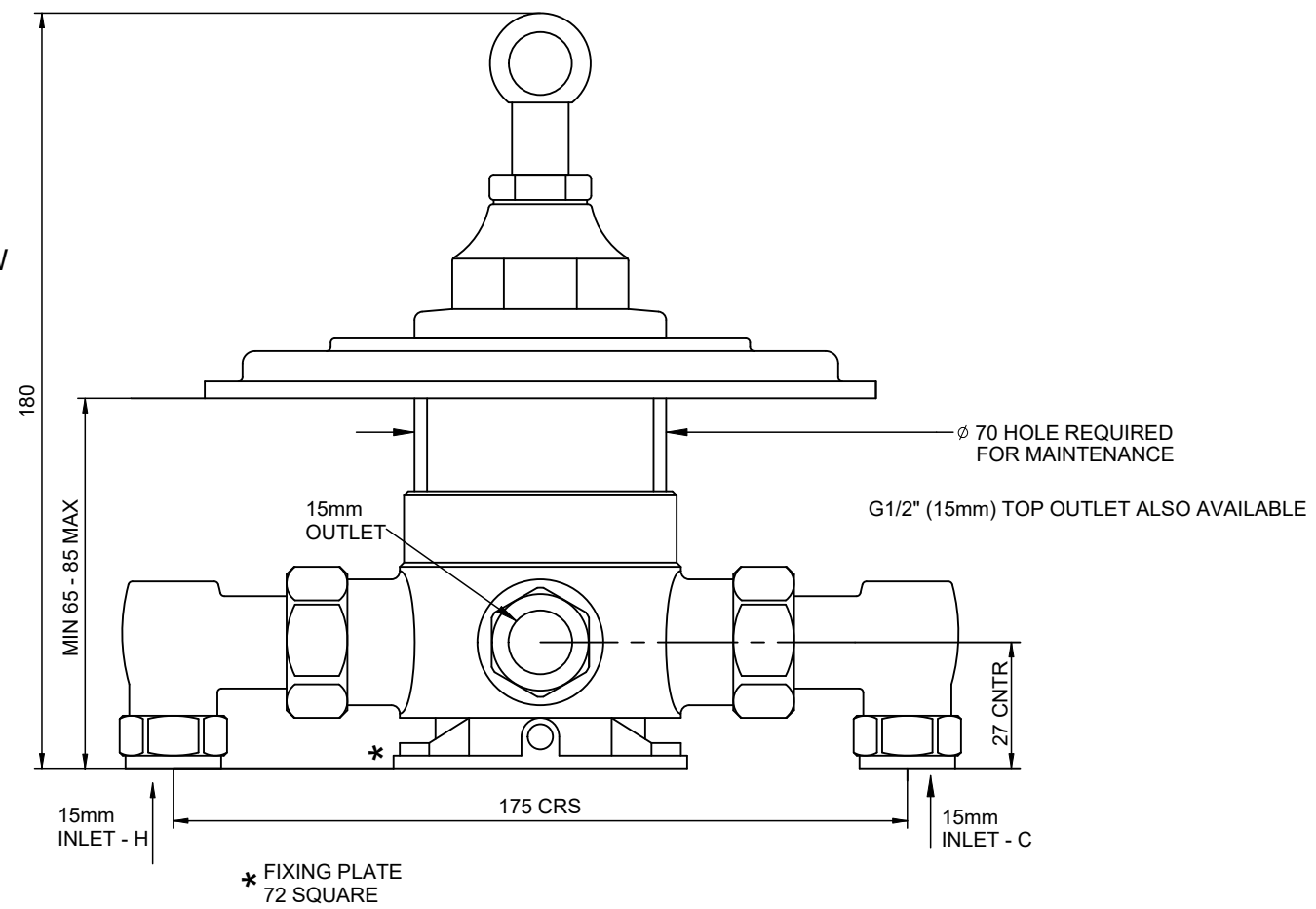


FRONT VIEW



BOTTOM VIEW



PLEASE NOTE THE MEASUREMENTS GIVEN ARE A GUIDE ONLY.

UNLESS OTHERWISE SPECIFIED  
DIMENSIONS ARE IN MILLIMETERS

**BILL-1843ML - Concealed Thermostatic Mixer - Lever**