

# ROCKWELL DECK MOUNTED TAPS, LOW SPOUT WITH UK WASTE - US

Rockwell deck mounted basin taps with low spout, for use with a UK/European basin, please check the waste size (minimum 44mm/1 3/4" diameter) is compatible. The crossheads are available in either all metal or Rockwell colored ceramic: lilac/Bonbon, orange/Squash, black/Graphite/Ink, white/Snowdrop, grey/Seattle, green/Willow, blue/Powder, yellow/Sherbet, red/Lipstick and pink/Conch. We also offer a color matching service. Please contact the office for further information. Manufactured in England.

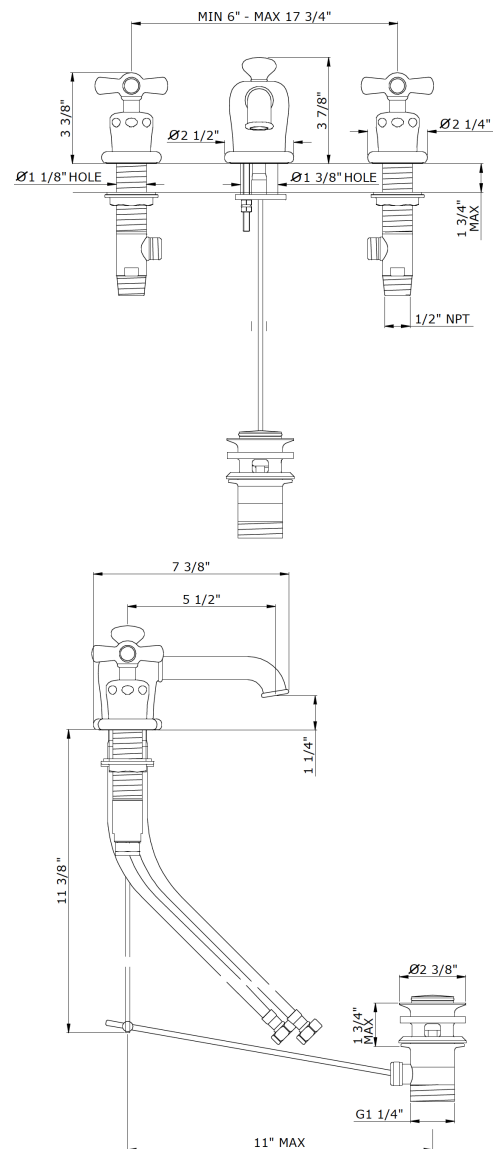


## Technical Details

Deck thickness maximum: 1 3/4"  
 Drain depth maximum: 1 3/4"  
 Drain hole diameter minimum: 1 5/16"  
 Drain style: Pop-up  
 Valve fittings hole diameter: 1 1/8"  
 Spout fittings hole diameter: 1 3/8"  
 Handle spread maximum: 17 3/4"  
 Handle spread minimum: 6"  
 Handle turn angle: 1/4 turn  
 Height: 3 7/8"  
 Inlet connection size: 1/2" NPT  
 Inlet connection type: male  
 Number of holes: 3  
 Primary material: brass  
 Restricted Maximum Flow Rate: 1.2 US gallons per minute  
 Spout swivel: no  
 Suggested application: basin  
 Valve Material: brass  
 Water Pressure Maximum: 84 psi  
 Water Pressure Minimum: 14 psi  
 Water Pressure Recommended: 28 psi

## Product Notes

All dimensions are based on original specifications and are subject to change and variation.



THE  
 WATER/  
 MONOPOLY