

# ROCKWELL DECK MOUNTED TAPS, LOW SPOUT WITH US WASTE - US

Rockwell deck mounted basin taps with low spout, for use with a US basin, please check the waste size (1 1/4"-1 1/2") is compatible. The crossheads are available in either all metal or Rockwell colored ceramic: lilac/Bonbon, orange/Squash, black/Graphite/Ink, white/Snowdrop, grey/Seattle, green/Willow, blue/Powder, yellow/Sherbet, red/Lipstick and pale pink/Conch. We also offer a color matching service. Please contact the office for further information. Manufactured in England.

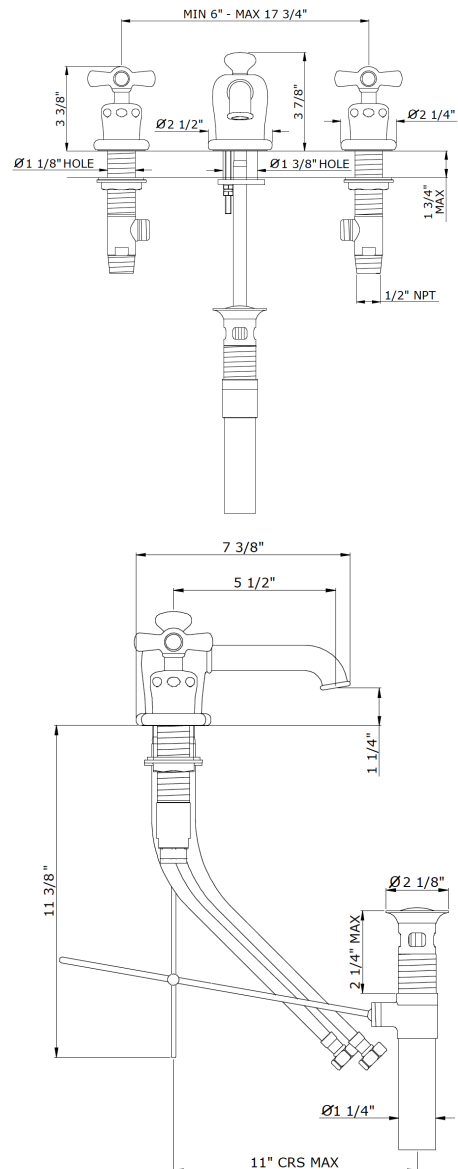


## Technical Details

Deck thickness maximum: 1 3/4"  
Drain depth maximum: 2 1/4"  
Drain hole diameter minimum: 1 5/16"  
Drain style: pop-up  
Valve fittings hole diameter: 1 1/8"  
Spout fittings hole diameter: 1 3/8"  
Handle spread maximum: 17 3/4"  
Handle spread minimum: 6"  
Handle turn angle: 1/4 turn  
Height: 3 7/8"  
Inlet connection size: 1/2" NPT  
Inlet connection type: male  
Number of Holes: 3  
Primary material: brass  
Restricted maximum flow rate: 1.2 US gallons per minute  
Spout swivel: no  
Suggested application: basin  
Valve material: brass  
Water pressure maximum: 84 psi  
Water pressure minimum: 14 psi  
Water pressure recommended: 28 psi

## Product Notes

All dimensions are based on original specifications and are subject to change and variation.



THE  
WATER/  
MONOPOLY