

ROCKWELL DECK MOUNTED TAPS, HIGH SPOUT WITH UK WASTE- US

Rockwell deck mounted basin taps with high spout, for use with a UK/European basin, please check the waste size (minimum 44mm/1 3/4" diameter) is compatible. The crossheads are available in either all metal or Rockwell colored ceramic: lilac/Bonbon, orange/Squash, black/Graphite/Ink, white/Snowdrop, grey/Seattle, green/Willow, blue/Powder, yellow/Sherbet, red/Lipstick and pink/Conch. We also offer a color matching service. Please contact the office for further information. Manufactured in England.

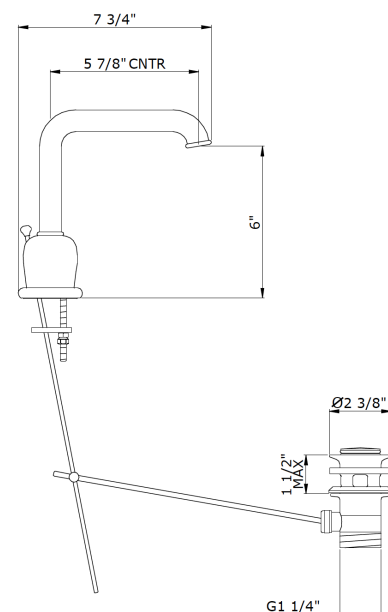
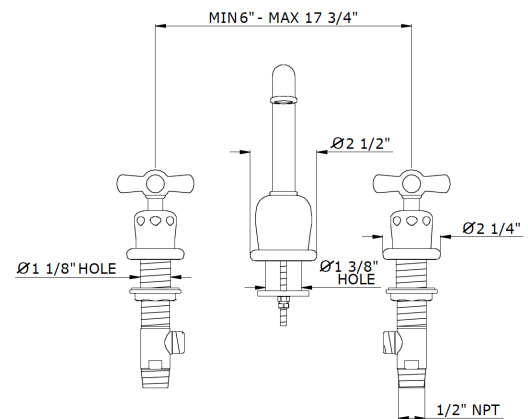


Technical Details

Deck thickness maximum: 1 3/4"
Drain depth maximum: 1 1/2"
Drain hole diameter minimum: 1 5/16"
Drain style: pop-up
Valve fittings hole diameter: 1 1/8"
Spout fittings hole diameter: 1 3/8"
Handle spread maximum: 17 3/4"
Handle spread minimum: 6"
Handle turn angle: 1/4 turn
Height: 9"
Inlet connection size: 1/2" NPT
Inlet connection type: male
Number of Holes: 3
Primary material: brass
Restricted maximum flow rate: 1.2 US gallons per minute
Spout swivel: no
Suggested application: basin
Valve material: brass
Water pressure maximum: 84 psi
Water pressure minimum: 14 psi
Water pressure recommended: 28 psi

Product Notes

All dimensions are based on original specifications and are subject to change and variation.



THE
WATER/
MONOPOLY