

PARIS BATH – 65 9/15" (5' 6") WITHOUT FEET US

The Paris bath is a faithful reproduction of an early 20th Century French fireclay bath. The tub is made of Vitrite™, a stone and mineral composite, which replicates the look and feel of the original bath but without the weight. It is available with or without feet, in two sizes and may be produced in any colour (prices may vary).

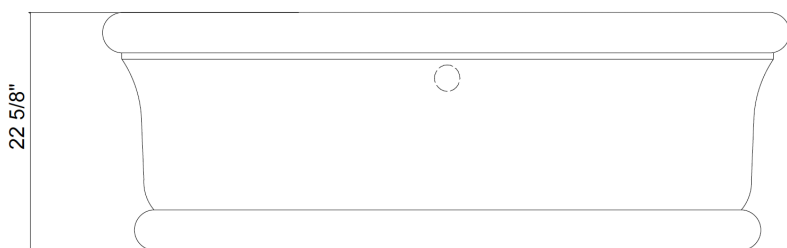
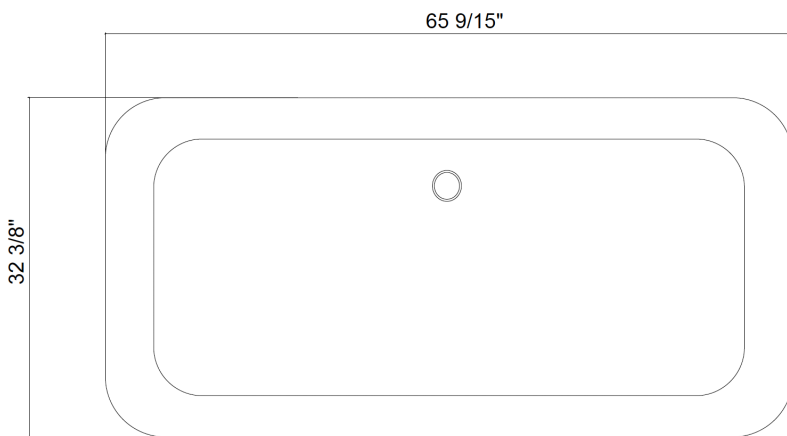
Length: 65 9/15"

Width: 32 3/8"

Height: 22 5/8"

Capacity: 79 US Gallons

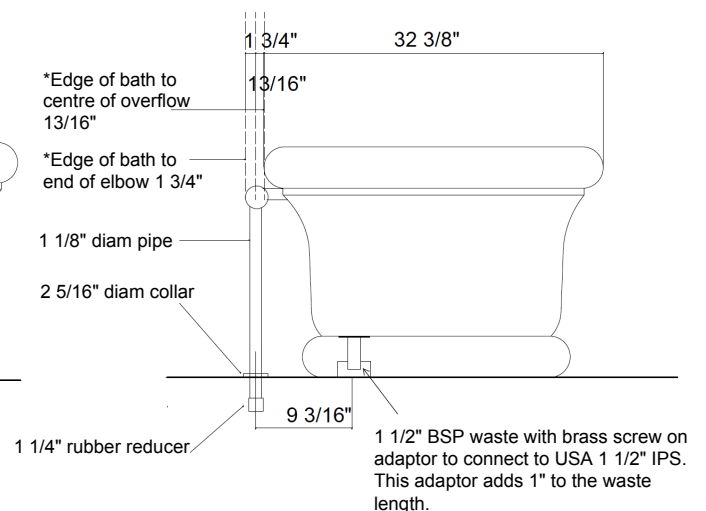
Dry weight: 176 lb



Paris Bath 65 9/15" no feet

O/A Length	65 9/15"
O/A Width	32 3/8"
O/A Height	22 5/8"
Int Length	55 1/8" apr
Int Width	24 7/16" apr
Int Depth	20 1/2" apr

Measurements shown are for guidelines only
(All dims shown in inches)



Waste: 1 1/2" BSP; Overflow: 28mm / 1 1/4" rubber reducer.

We only supply fittings above the floor. We do not supply the trap; the trap needs to go beneath the floor. Dimensions are given in inches; they are a guide only and may vary from bath to bath.

**THE
WATER/
MONOPOLY**

10/14 Lonsdale Road, London, NW6 6RD
+44 (0)20 7624 2636 thewatermonopoly.com

version 16.06.21