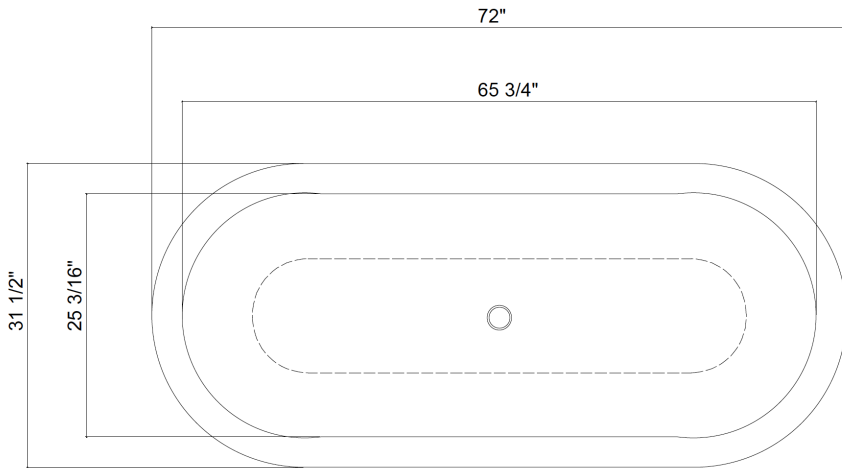


HANLEY BATH - US

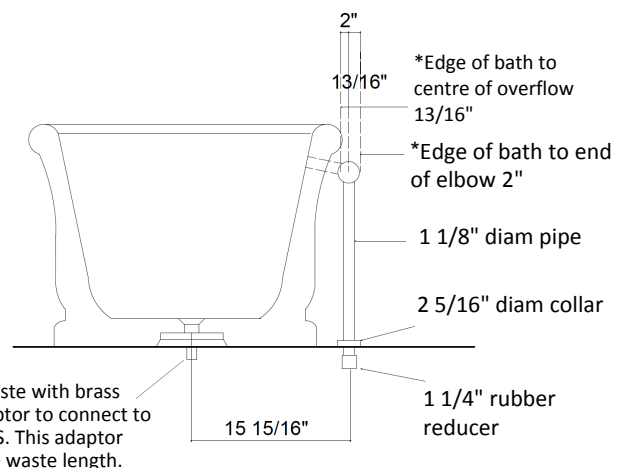
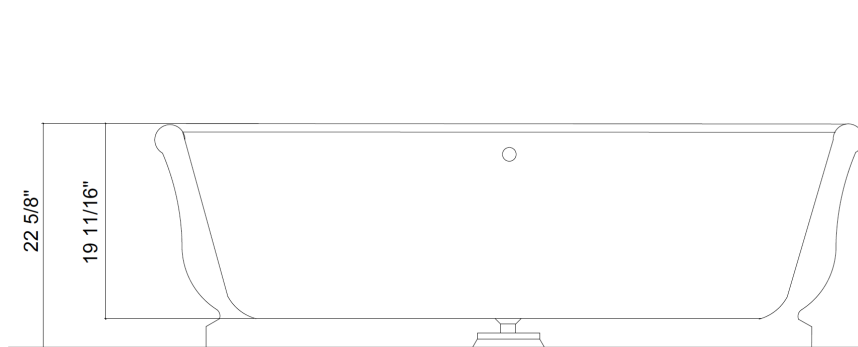
The Hanley bath is a reproduction of an original fireclay bath, purchased from the Grand Hotel in Aix les Bains. It is manufactured in England from Vitrite™, a stone and mineral composite that replicates the look and feel of the original bath but without the weight. It can be produced in any colour.

Length: 72"
 Width: 31 1/2"
 Height: 22 5/8"
 Dry weight: 220lbs
 Capacity: 84 US gallons



Hanley Bath (in inches)	
O/A Length	72"
O/A Width	31 1/2"
O/A Height	22 5/8"
Int Length	65 3/4" apr
Int Width	25 3/16" apr
Int Depth	19 11/16" apr

Measurements shown are for guidelines only
 (All dims shown in inches)



1 1/2" BSP waste with brass screw on adaptor to connect to USA 1 1/2" IPS. This adaptor adds 1" to the waste length.

Waste: 1 1/2" BSP; Overflow: 28mm / 1 1/4" rubber reducer.

We only supply fittings above the floor. We do not supply the trap. The waste and overflow need to be joined together and then trapped beneath the floor. Dimensions are given in inches, they are a guide only and may vary from bath to bath.

THE
 WATER/
 MONOPOLY

10/14 Lonsdale Road, London, NW6 6RD
 +44 (0)20 7624 2636 thewatermonopoly.com

version 27.09.2021