

PARIS BATH – 5’ 10” – WITHOUT FEET

The Paris bath is a faithful reproduction of an early 20th Century French fireclay bath. The tub is made of Vitrite™, a stone and mineral composite, which replicates the look and feel of the original bath but without the weight. It is available with or without feet, in two sizes and may be produced in any colour (prices may vary).

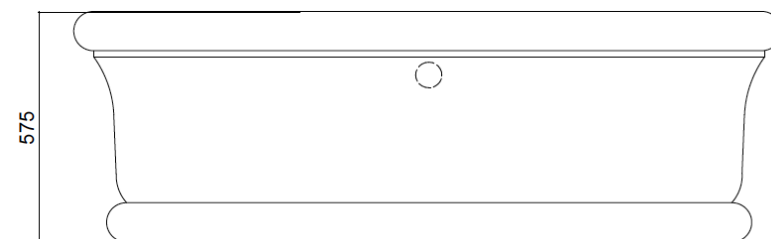
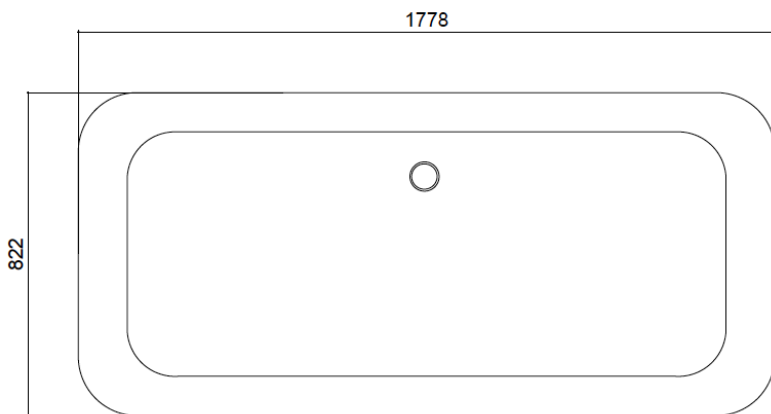
Length: 1778mm / 70”

Width: 822mm / 32.5”

Height: 575mm / 22.5”

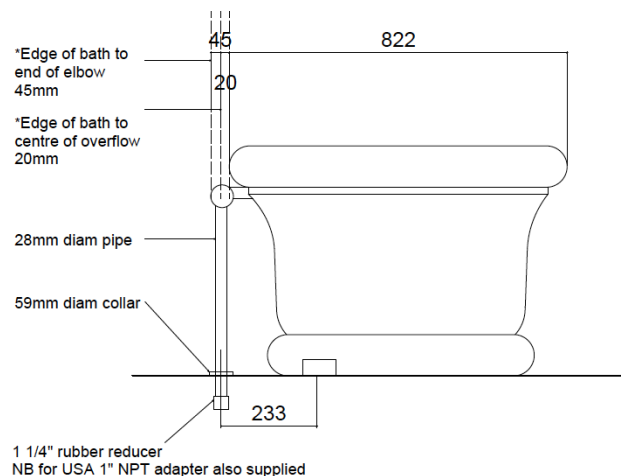
Capacity: 310 litres / 68 UK gallons / 82 US Gallons

Dry weight: 90kg / 198lb



Paris Bath 5' 10" in mm

O/A Length	1778
O/A Width	822
O/A Height	575
Int Length	1520 apr
Int Width	620 apr
Int Depth	520 apr



Waste: 1 1/2" BSP; Overflow: 28mm / 1 1/4" rubber reducer.

We only supply fittings above the floor. We do not supply the trap. The waste and overflow need to be joined together and then trapped beneath the floor. Dimensions are given in mm; they are a guide only and may vary from bath to bath.

THE
WATER/
MONOPOLY

10/14 Lonsdale Road, London, NW6 6RD
+44 (0)20 7624 2636 thewatermonopoly.com

Version 01.10.2021