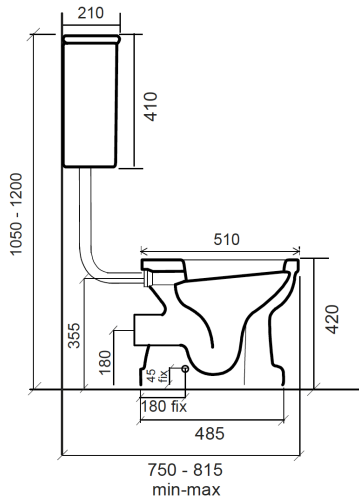


PARIS LAVATORY PAN WITH LOW LEVEL CISTERN

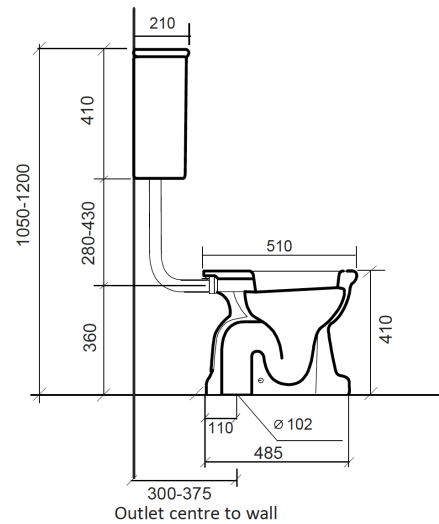
The Paris lavatory pan goes very well with the original French basins with softer detailing. It is also available to use with a high level, close coupled or concealed cistern and is available as an S or P-trap.



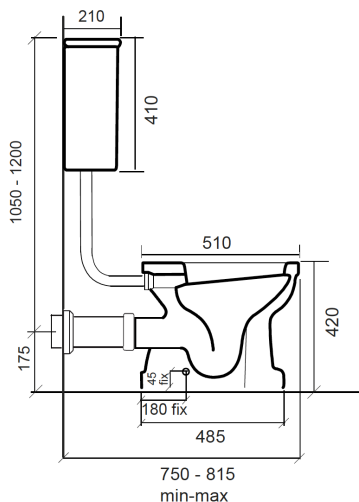
Side view with p-trap pan



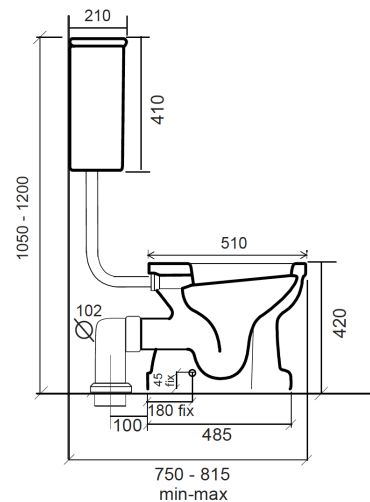
Side view with s-trap pan



Side view with optional horizontal pan connector



Side view with optional vertical pan connector

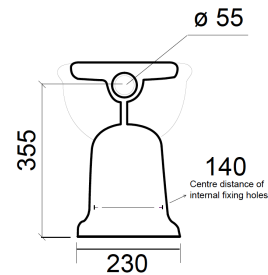
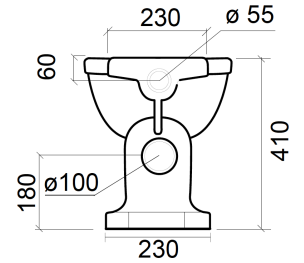
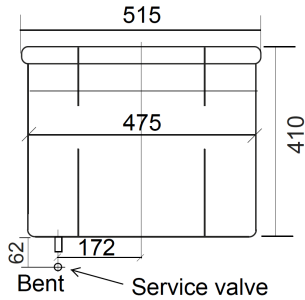


THE
WATER/
MONOPOLY

PARIS LAVATORY PAN WITH LOW LEVEL CISTERN

(Page 2/2)

Cistern inlet pipe position diagram

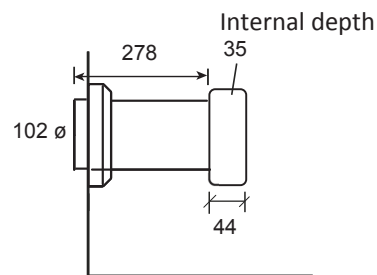


Back view of p-trap pan

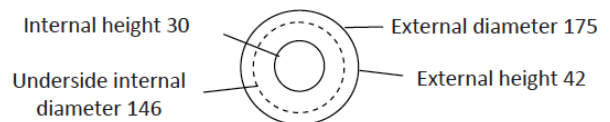
Technical Details

Assembly/Configuration: 2 piece water closet + low level cistern
 Bowl shape: Elongated
 Flush motion: Flush lever
 Flush position: Right hand
 Flush Primary Material: Brass
 Flushing Technology: Syphonic Flush
 Depth max: 815mm
 Inlet connection size: 1/2"
 Inlet connection type: Male Threading
 Installation type: Wall hung cistern / freestanding pan
 Cistern width: 515mm
 Outer Rim Shape: Elongated
 Rim height: 420mm
 Application: Bathroom / Cloakroom
 Water Pressure Maximum: 6.0 bar
 Water Pressure Minimum: 1.5 bar
 Water Pressure Recommended: 3.0 bar
 Outlet size: 100mm
 Water consumption: 6 litre
 Optional straight china pan connector available

Horizontal pan connector



Collar for horizontal pan connector



Product Notes

All dimensions are in millimeters and based on original specifications and are subject to change and variation.