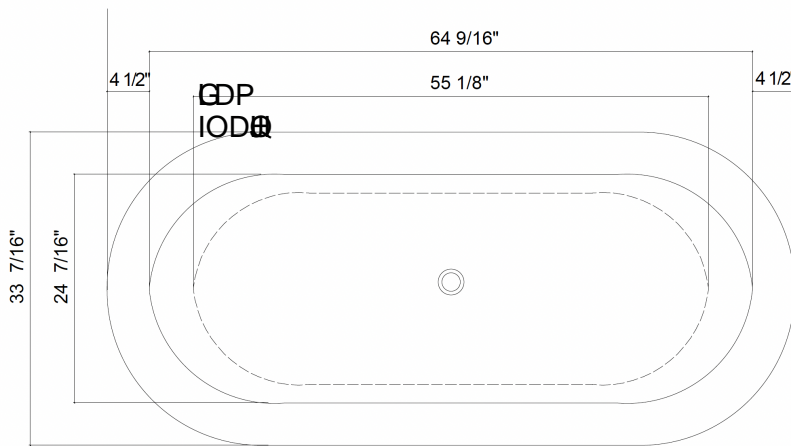


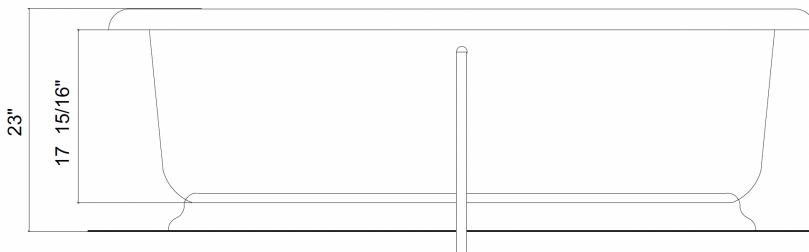
LONSDALE BATH - US

The Lonsdale bath is a reproduction of an early 20th Century American double ended bath and is manufactured from recycled brake discs. The image shows the tub with a painted exterior finish. It is also available with a polished & lacquered or patinated exterior finish. The bath can also be manufactured with or without tap holes on the roll.

Length: 73 5/8"
 Width: 33 7/16"
 Height: 23"
 Capacity: 74 US gallons
 Dry weight: 550lb



| The Lonsdale Bath | |
|---|---------------|
| O/A Length | 73 5/8" |
| O/A Width | 33 7/16" |
| O/A Height | 23" |
| Int Length | 64 9/16" apr |
| Int Width | 24 7/16" apr |
| Int Depth | 17 1/516" apr |
| Measurements shown are for guidelines only (All dims shown in inches) | |



Edge of bath to centre of overflow

3LB

GDPIODR

GDPSB

WDS/BG

WBSOH/WKQ/RB

The outlet pipe can be used horizontally by turning the 'T' and can be supplied with an extra pipe and elbow if wishing to go into the floor further behind the bath if specified.

Waste: 1 1/2" BSP; Overflow: 28mm into 42mm waste pipe.

We only supply fittings above the floor. We do not supply the trap; the trap needs to go beneath the floor.

Dimensions are given in mm; they are a guide only and may vary from bath to bath.

THE
 WATER/
 MONOPOLY

10/14 Lonsdale Road, London, NW6 6RD
 +44 (0)20 7624 2636 thewatermonopoly.com

Version 27.09.2021