

MARTHA BATH

The Martha bath is a reproduction of a late 19th Century French double ended bath. Hand made and finished. The image shows a brass exterior and tinned interior.

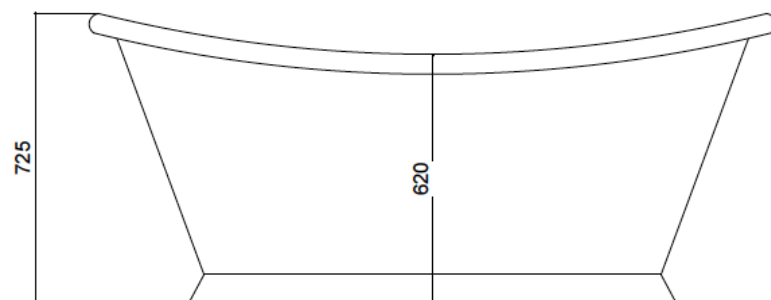
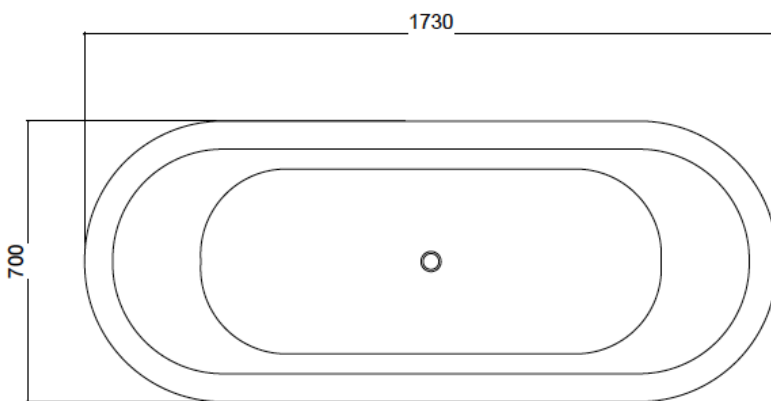
Length: 1730mm / 68.11"

Width: 700mm / 27.55"

Height: 725mm / 28.54"

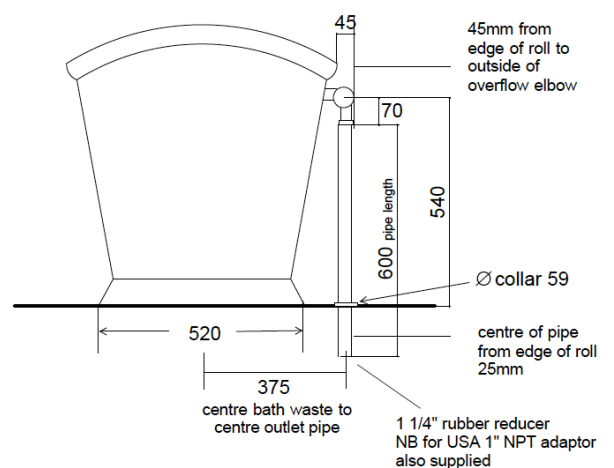
Capacity: 280 litres / 61 UK gallons / 74 US Gallons

Weight: Approximately 50kg / 110lb



Martha Copper Bath
(dims in mm)

O/A Length	1730
O/A Width	700
O/A Height	725
Int Length	1250
Int Width	610
Int Depth	500



Waste: 1 1/2" BSP; Overflow: 28mm / 1 1/4" rubber reducer.

We only supply fittings above the floor. We do not supply the trap; the trap needs to go beneath the floor.

Dimensions are given in mm, they are a guide only and may vary from bath to bath.