

MARTHA BATH - US

The Martha bath is a reproduction of a late 19th Century French double ended bath. Hand made and finished. The image shows a painted exterior and tinned interior.

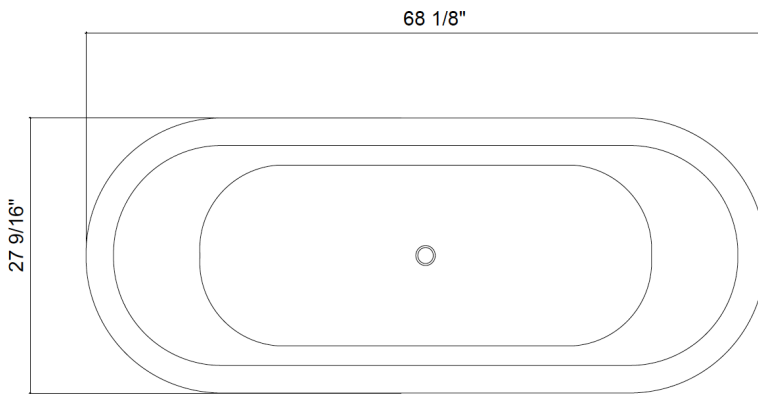
Length: 68 1/8"

Width: 27 9/16"

Height: 28 9/16"

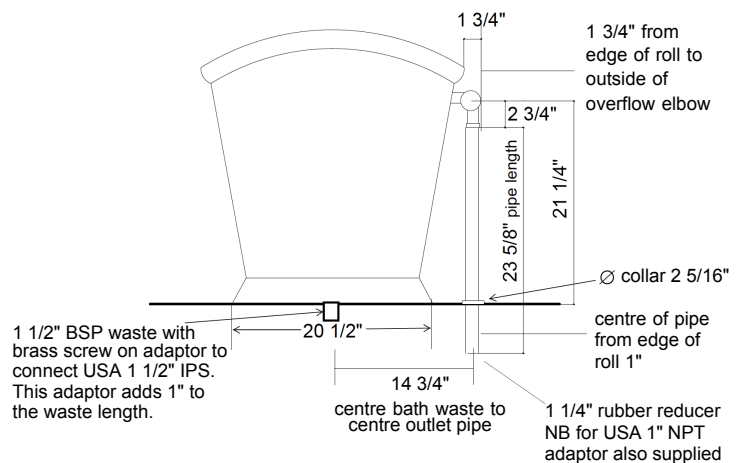
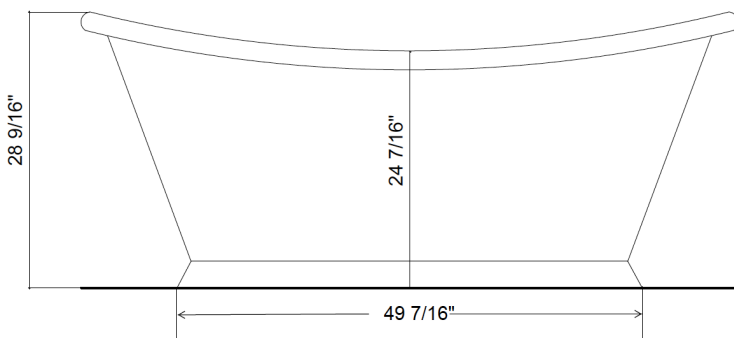
Capacity: 74 US Gallons

Dry weight: Approximately 110lb



Martha Copper Bath	
O/A Length	68 1/8"
O/A Width	27 9/16"
O/A Height	28 9/16"
Int Length	49 3/16"
Int Width	24"
Int Depth	19 11/16"

Measurements shown are for guidelines only
(All dims shown in inches)



Waste: 1 1/2" BSP // 1 1/2" IPS; Overflow: 28mm / 1 1/4" rubber reducer.

We only supply fittings above the floor. We do not supply the trap; the trap needs to go beneath the floor. Dimensions are given in inches, they are a guide only and may vary from bath to bath.