

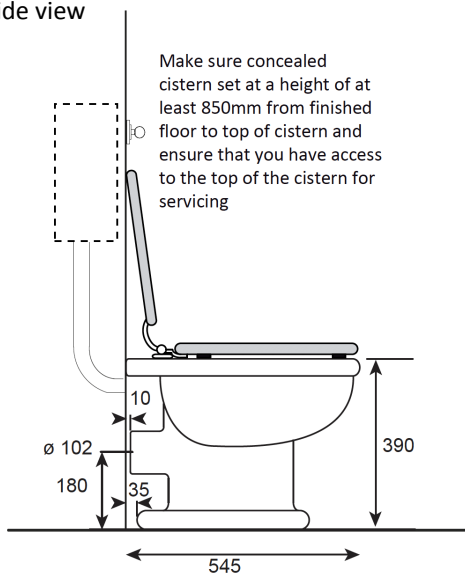
ROCKWELL LAVATORY PAN WITH CONCEALED CISTERN

The Rockwell lavatory pan is shown here with a concealed cistern, seat and flush handle in blue/ Powder. Other Rockwell colored ceramics available: green/Willow, white/Snowdrop and yellow/Sherbet. The Rockwell collection also includes options for close coupled and low level lavatories.

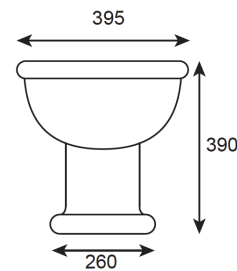
Produced in a traditional manner in England.



Side view



Front view



Technical Details

Assembly/configuration: Pan for concealed cistern (two types sold separately)

Flush motion: Flush lever/ Flush plate

Flushing technology: Syphonic flush / Flush valve

Flush position: Right hand / Centre

Flush primary material: Brass

Depth: 545mm

Minimum recommended cistern height (from floor to top of cistern): 850mm

Inlet connection size: 1/2"

Cistern inlet connection type: Male threading

Cistern width: 524mm

Rim height: 390mm

Bowl shape: Elongated

Water pressure maximum: 6 bar

Water pressure minimum: 1 bar

Water pressure recommended: 3 bar

Outlet size: 102mm

Water consumption: 6 litres

Codes & Standards

Ceramic complies to CE Standards

Flush mechanism complies to WRAS Standards



Product Notes

All dimensions (in mm) are based on original specifications and are subject to change and variation.