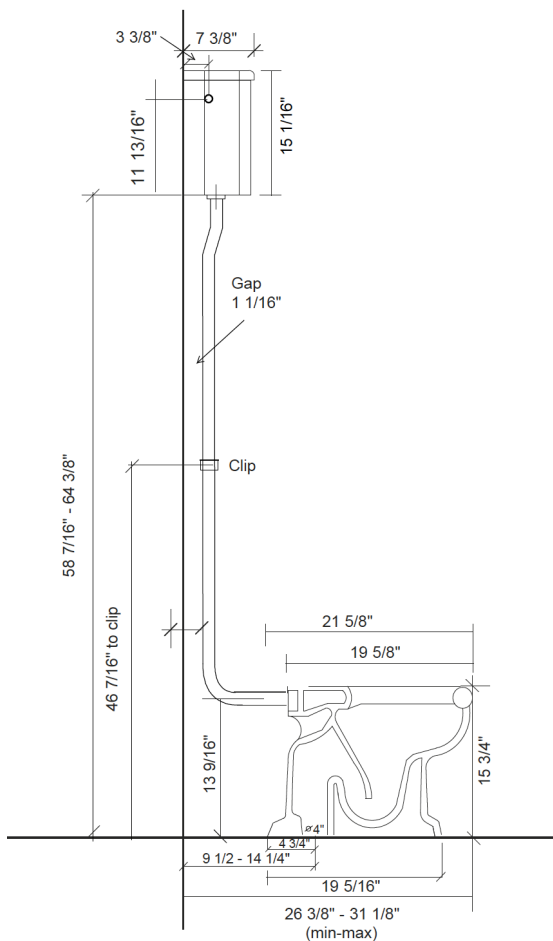


# SOHO LAVATORY PAN WITH HIGH LEVEL CISTERN - USA

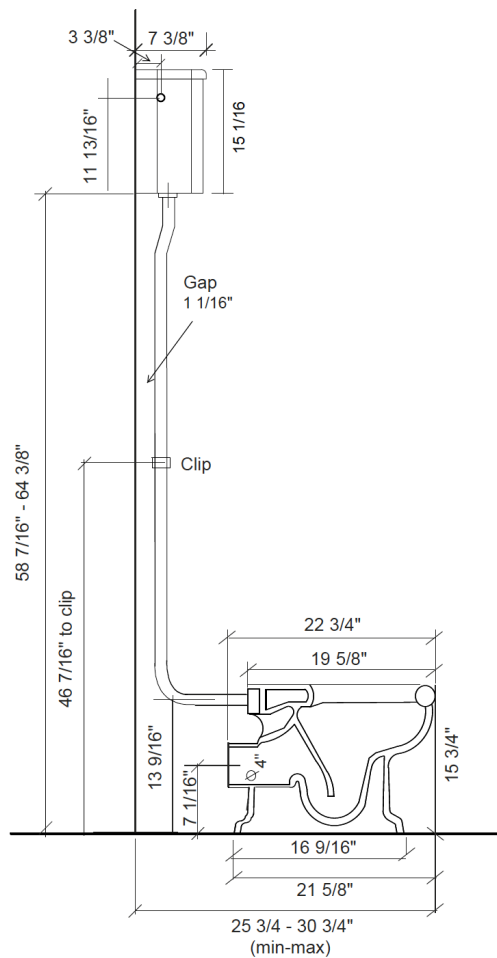
The Soho lavatory pan is shown with a high level cistern, matt black painted wooden seat and a graphite flush handle. The Soho collection also includes options for back to wall, close coupled and low level lavatories.



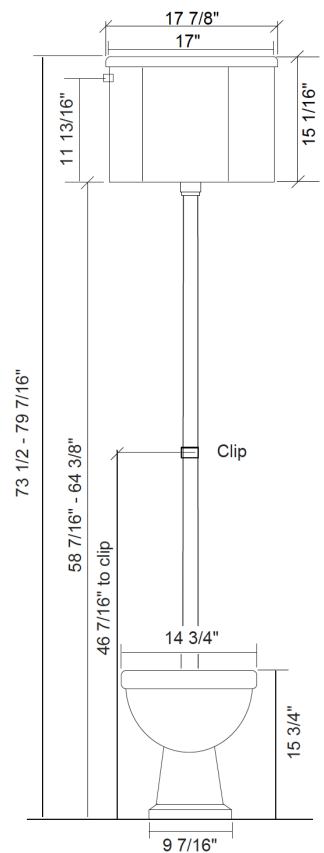
Side view with s-trap pan



Side view with p-trap pan



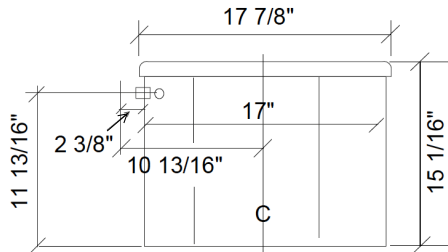
Front view



# SOHO LAVATORY PAN WITH HIGH LEVEL CISTERN - USA

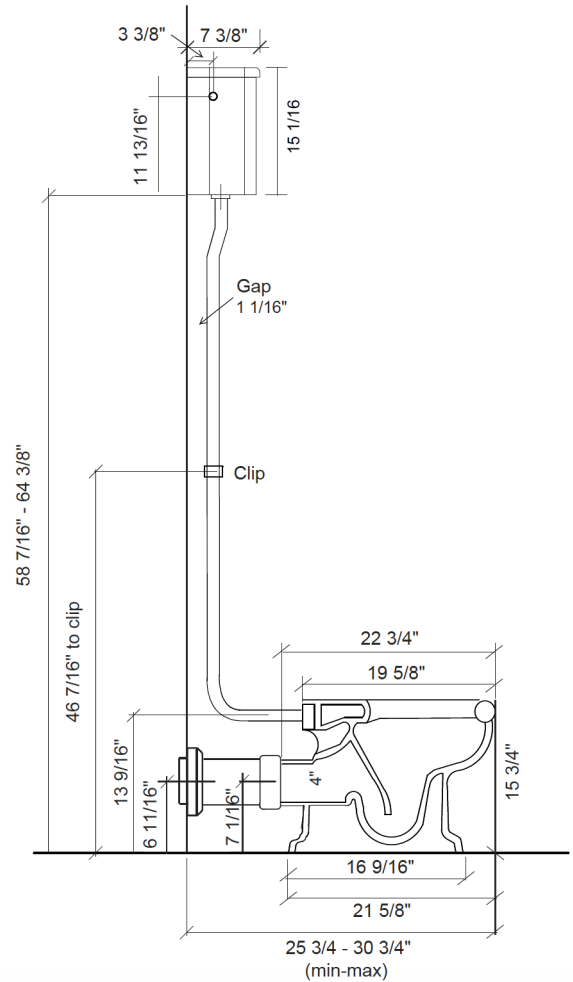
(page 2/3)

Cistern inlet pipe position diagram

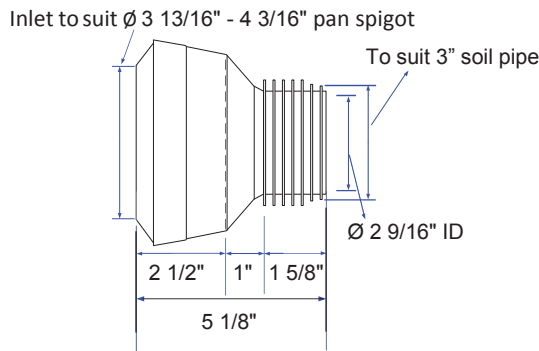


supplied with a bent service valve

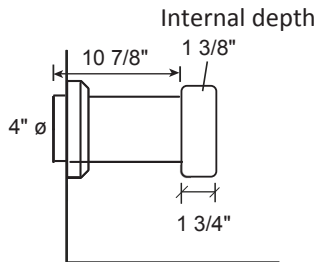
Side view with optional vertical pan connector



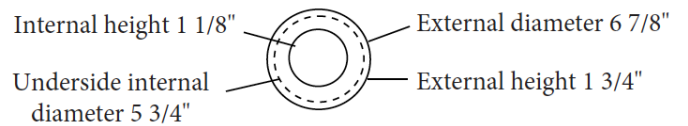
Mac 3" Pan Adaptor for US



Horizontal pan connector



Collar for horizontal and vertical pan connector



# SOHO LAVATORY PAN WITH HIGH LEVEL CISTERN - USA

(page 3/3)

## Technical Details

Assembly/Configuration: 2 piece water closet  
+ high level cistern  
Bowl shape: Elongated  
Flush motion: Pull chain  
Flush position: Right hand  
Flush Primary Material: Brass  
Flushing Technology: Syphonic Flush  
Depth max S trap: 31 1/8"  
Depth max P trap: 30 3/4"  
Height max: 79 7/16"  
Inlet connection size: 1/2"  
Inlet connection type: Male thread  
Installation type: Wall hung cistern  
Cistern width: 17 7/8"  
Outer Rim Shape: Elongated  
Rim height: 15 3/4"  
Application: Bathroom / cloakroom  
Water Pressure Maximum: 85.0 psi  
Water Pressure Minimum: 20.0 psi  
Water Pressure Recommended: 45.0 psi  
Outlet size: 4"  
Water consumption: 1.585 USA gallons  
Optional straight pan connector available

## Product Notes

All dimensions are based on original specifications and are subject to change and variation.