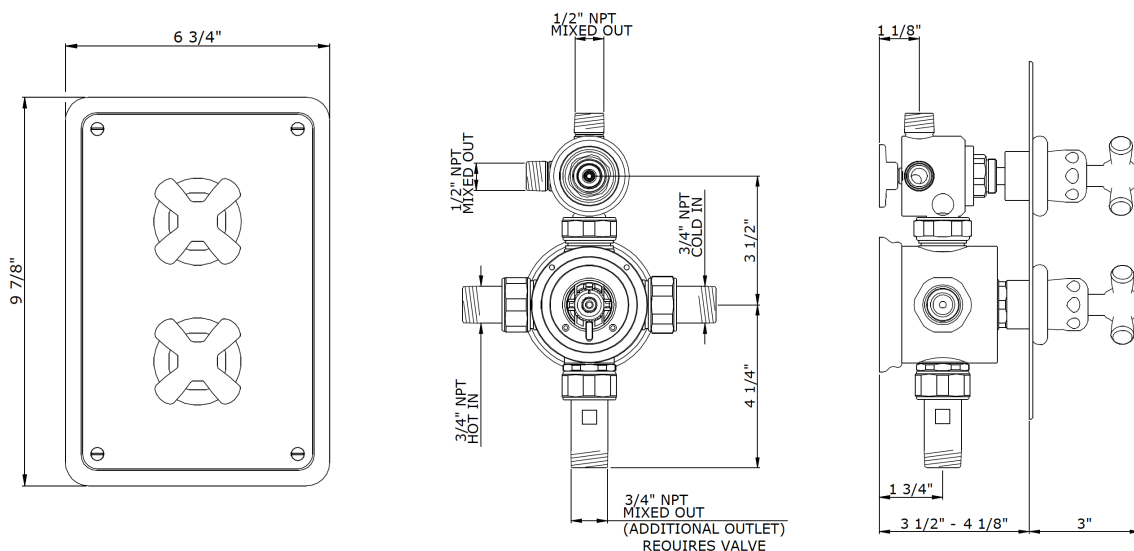


ROCKWELL WALL MOUNTED CONCEALED THERMOSTATIC CONTROL AND DIVERTER VALVE WITH OPTIONAL SECONDARY OUTLET FOR BATH SPOUT - US

Rockwell wall mounted thermostatic control and diverter valve with optional secondary outlet for bath spout, mounted on rectangular plate. The crossheads are available in either all metal or Rockwell colored ceramic: lilac/ Bonbon, orange/Squash, black/Graphite/Ink, white/Snowdrop, grey/Seattle, green/Willow, blue/Powder, yellow/Sherbet, red/Lipstick and pale pink/Conch. Manufactured in England.



Technical Details

Control valve rough in depth: Max 4 1/8"
 Control valve rough in depth : Min 3 1/2"
 Primary metal: Brass
 Trim height: 9 7/8"
 Trim width: 6 3/4"
 Integrated diverter control: Yes
 Number of handles: 2
 Suggested application: Bath / shower
 Wax capsule thermostatic cartridge with 1 second supply failure response
 Adjustable temperature safety override stop (pre-set to 100°F)

Inlet connection size: male 3/4" NPT Outlet
 connection size: female 3/4" NPT Secondary
 outlet: Available, optional extra Temp Min: 52°F
 Temp Max: 118°F
 Max inlet temp: 180°F
 Recommended max working pressure: 75psi
 Recommended min working pressure: 7psi
 Packed weight: 14lb

Product Notes

All dimensions are based on original specifications and are subject to change and variation.