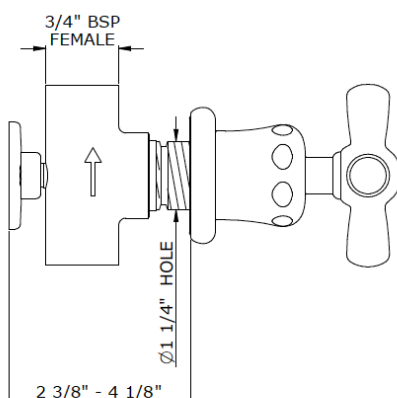
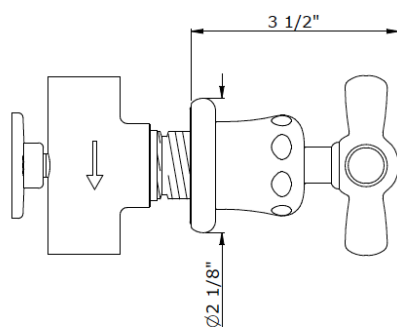


ROCKWELL WALL MOUNTED 3/4" SHUT OFF VALVE - US

Rockwell 3/4" shut off valve, shown here with green ceramic lever. The crossheads are available in either all metal or Rockwell colored ceramic: lilac/Bonbon, orange/Squash, black/Graphite/Ink, white/Snowdrop, grey/Seattle, green/Willow, blue/Powder, yellow/Sherbet, red/Lipstick and pale pink/Conch. Manufactured in England.



Technical Details

Control valve rough-in depth maximum: 4 1/8"

Control valve rough-in depth minimum: 2 3/8"

Fitting hole diameter: 1 1/4"

Inlet connection size: 3/4"

Inlet connection type: Female NPT

Primary metal: Brass

Depth/width: 3 1/2"

Suggested application: Bath

Product Notes

All dimensions are based on original specifications and are subject to change and variation.