

ROCKWELL BATH – NO FEET

The Rockwell bath is a reproduction of an antique bath with a modern twist, equally at home in a traditional or contemporary setting. It is manufactured in England from Vitrite™, a stone and mineral composite that replicates the look and feel of the original bath but without the weight.

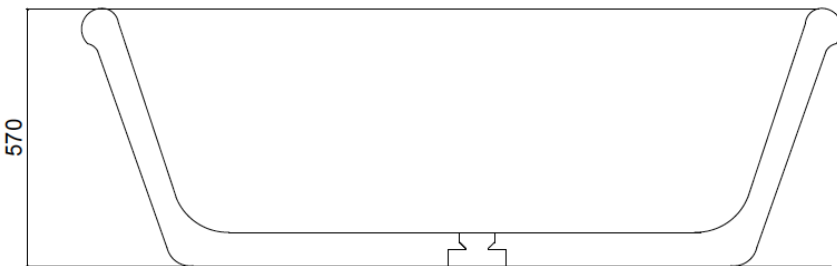
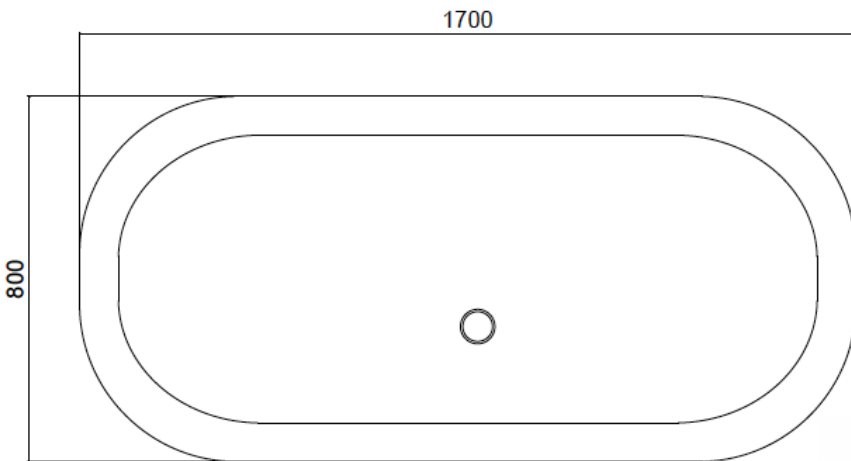
Length: 1700mm / 67"

Width: 800mm / 31.5"

Height: 570mm / 22.5"

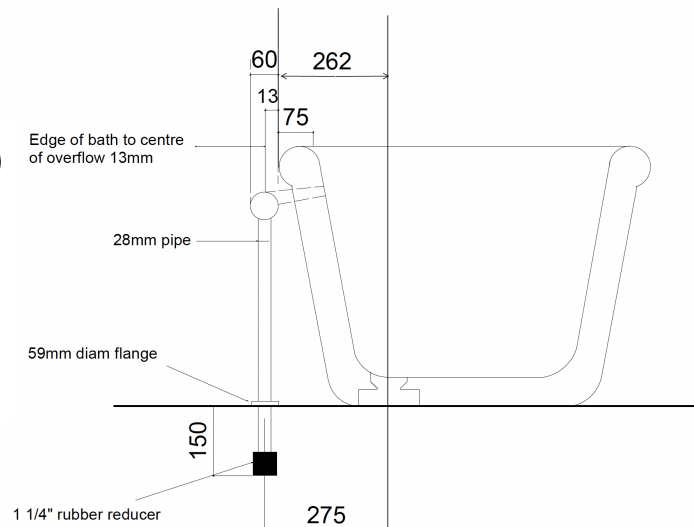
Capacity: 265 litres / 58 UK gallons / 70 US Gallons

Dry weight: 80kg / 176lb



Rockwell bath - no feet
(dims in mm)

O/A Length	1700
O/A Width	800
O/A Height	570
Int Length	1480 apr
Int Width	620 apr
Int Depth	500 apr



Waste: 1 1/2" BSP; Overflow: 28mm / 1 1/4" rubber reducer.

We only supply fittings above the floor. We do not supply the trap. The waste and overflow need to be joined together and then trapped beneath the floor. Dimensions are given in mm, they are a guide only and may vary from bath to bath.