

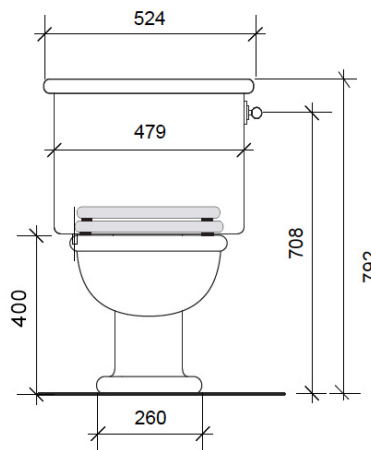
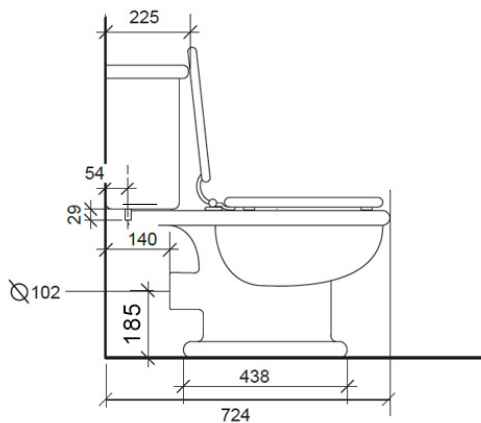
# ROCKWELL LAVATORY PAN WITH CLOSE COUPLED CISTERN

The Rockwell lavatory pan is shown here with a close coupled cistern, seat and flush handle in green/Willow. It can also be used with a low level or concealed cistern. Other colors available: white/Snowdrop, blue/Powder and yellow/Sherbet. Manufactured in England in the traditional manner.

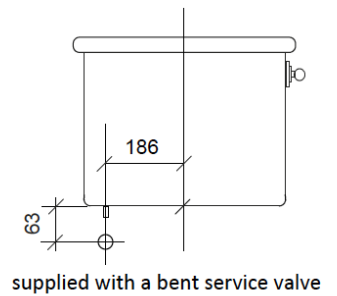


Side view

Front view

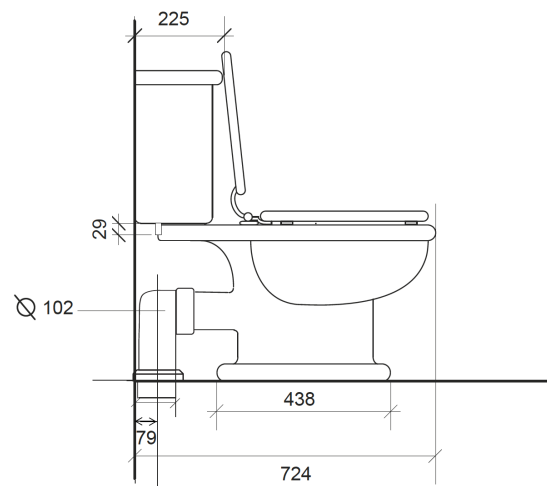
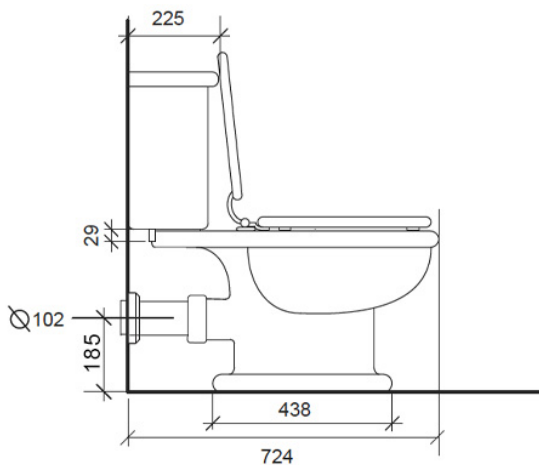


Cistern inlet pipe position diagram



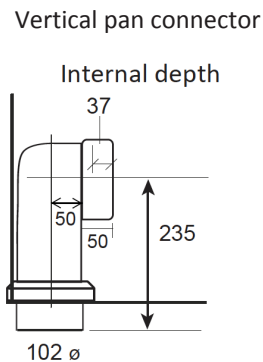
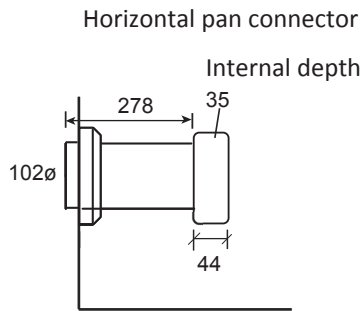
Side view with optional horizontal pan connector

Side view with optional vertical pan connector. Collar can only be used if collar is cut or wall cut by 10mm

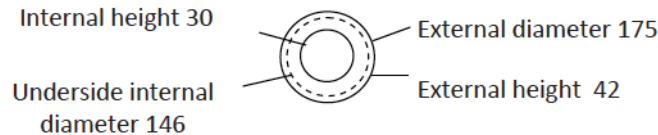


# ROCKWELL LAVATORY PAN WITH CLOSE COUPLED CISTERN

(Page 2/2)



Collar for horizontal and vertical pan connector



## Technical Details

Flush motion: Syphonic with flush handle  
Depth: 724mm  
Height: 792mm  
Inlet connection size: 1/2"  
Cistern width: 524mm  
Rim height: 400mm  
Water Pressure Maximum: 6 bar  
Water Pressure Minimum: 1 bar  
Outlet size: 102mm  
Water consumption: 6 litres  
Optional china pan connector, straight or 90° available

## Codes and Standards

Ceramic complies to CE Standards  
Flush mechanism complies to WRAS Standards



## Product Notes

All dimensions (in mm) are based on original specifications and are subject to change and variation.