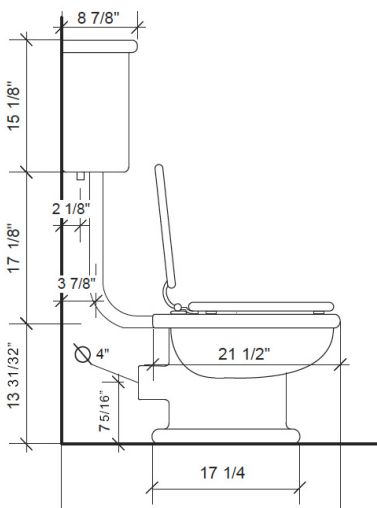


# ROCKWELL LAVATORY PAN WITH LOW LEVEL CISTERN - USA

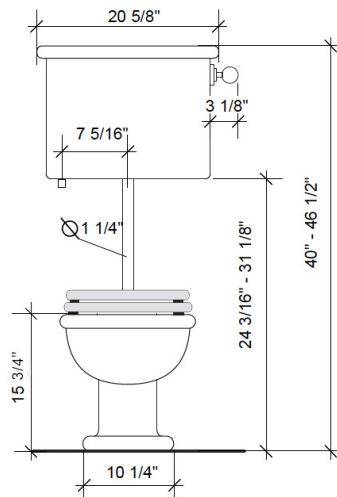
The Rockwell lavatory pan is shown here with a low level cistern, seat and flush handle in white/ Snowdrop. Other Rockwell colored ceramics available: green/Willow, blue/Powder and yellow/Sherbet. It can also be used with a close coupled or concealed cistern. Produced in a traditional manner in England.



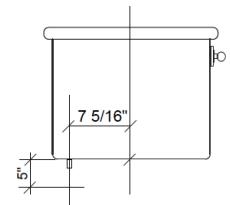
Side view



Front view

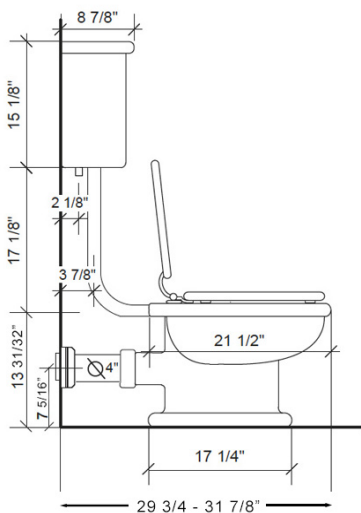


Cistern inlet pipe position diagram

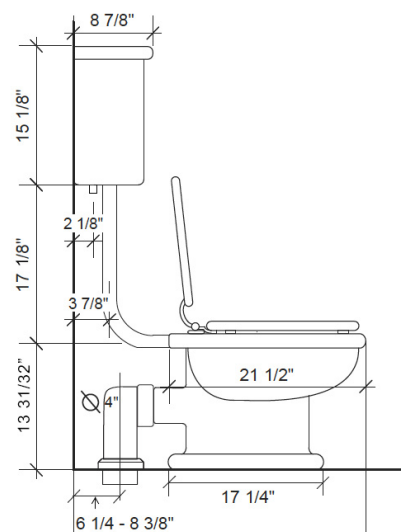


supplied with a straight service valve

Side view with optional horizontal pan connector



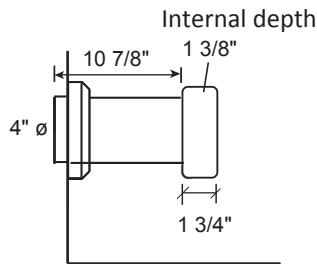
Side view with optional vertical pan connector



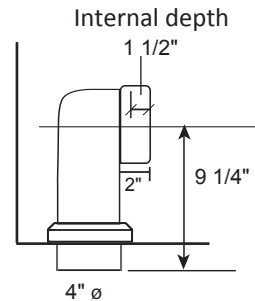
# ROCKWELL LAVATORY PAN WITH LOW LEVEL CISTERN - USA

(Page 2/2)

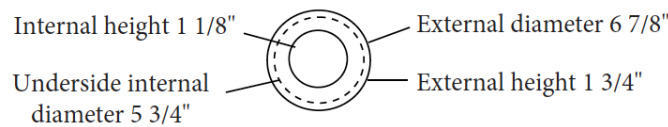
Horizontal pan connector



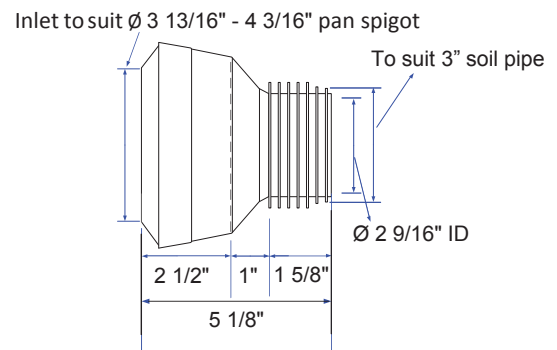
Vertical pan connector



Collar for horizontal and vertical pan connector



Mac 3" Pan Adaptor for US



## Technical Details

Assembly/Configuration: 2 piece water closet + cistern  
 Bowl shape: Elongated  
 Flush motion: Flush handle  
 Flush position: Right  
 Flush Primary Material: Brass  
 Flushing Technology: Syphonic Flush / Dudley Turbo  
 Depth: 29 3/4" - 31 7/8"  
 Height: 40" - 46 1/2"  
 Inlet connection size: 1/2"  
 Inlet connection type: Male BSP  
 Installation type: Wall mounted cistern / coupled to pan  
 Cistern width: 20 5/8"  
 Outer Rim Shape: Elongated  
 Rim height: 15 3/4"  
 Application: Bathroom / Cloakroom  
 Trapseal depth: 2.1/2"  
 Water Pressure Maximum: 85.0 psi  
 Water Pressure Minimum: 20.0 psi  
 Water Pressure Recommended: 45.0psi  
 Outlet size: 4"  
 Water consumption: 1.585 US gallons  
 Optional china pan connector, straight or 90° available

## Codes & Standards

Ceramic complies to CE Standards  
 Flush mechanism complies to WRAS Standards



## Product Notes

All dimensions are based on original specifications and are subject to change and variation.