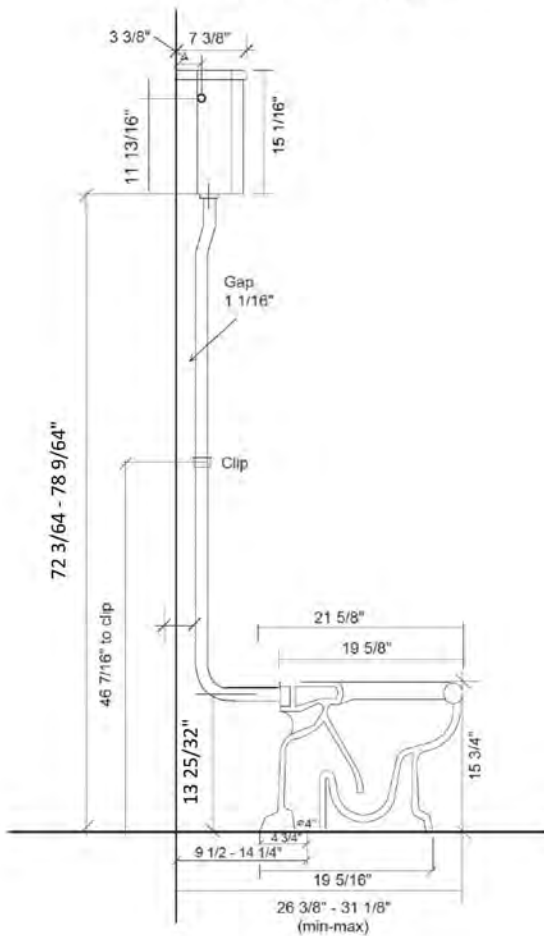


SOHO LAVATORY PAN WITH HIGH LEVEL CISTERN - USA

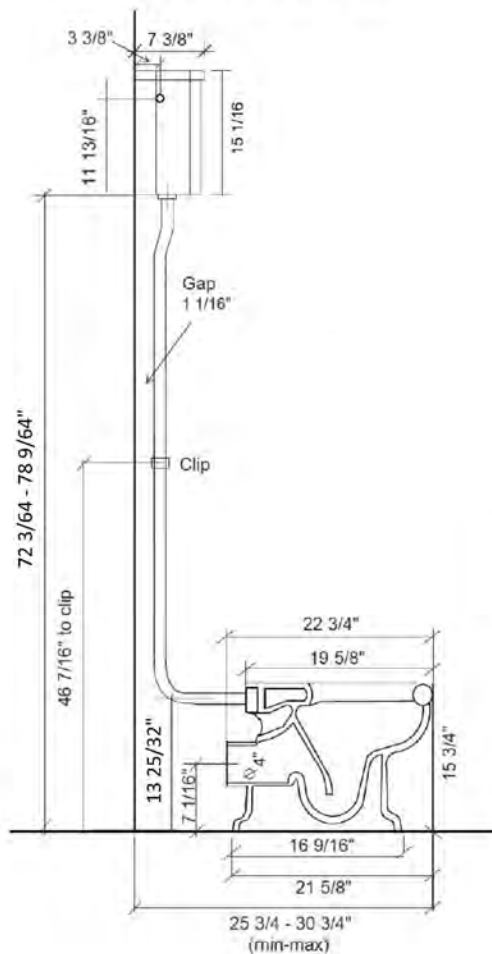
The Soho lavatory pan is shown with a high level cistern, matt black painted wooden seat and a graphite flush handle. The Soho collection also includes options for back to wall, close coupled and low level lavatories.



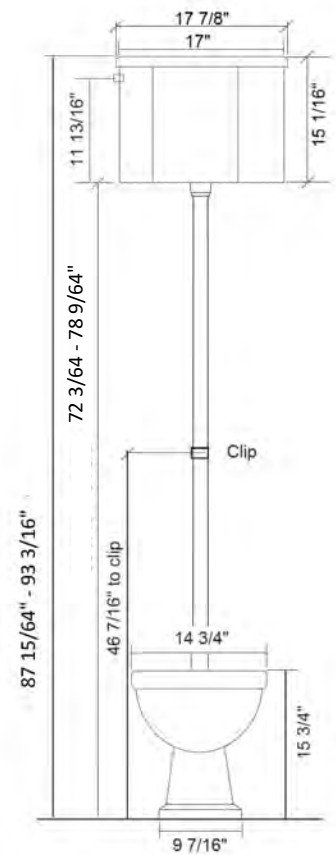
Side view with s-trap pan



Side view with p-trap pan



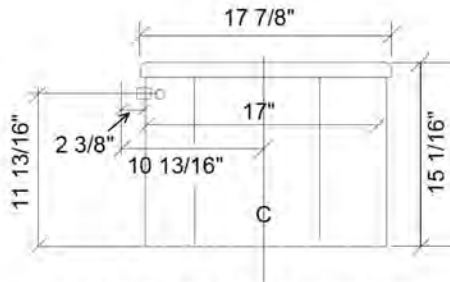
Front view



SOHO LAVATORY PAN WITH HIGH LEVEL CISTERN - USA

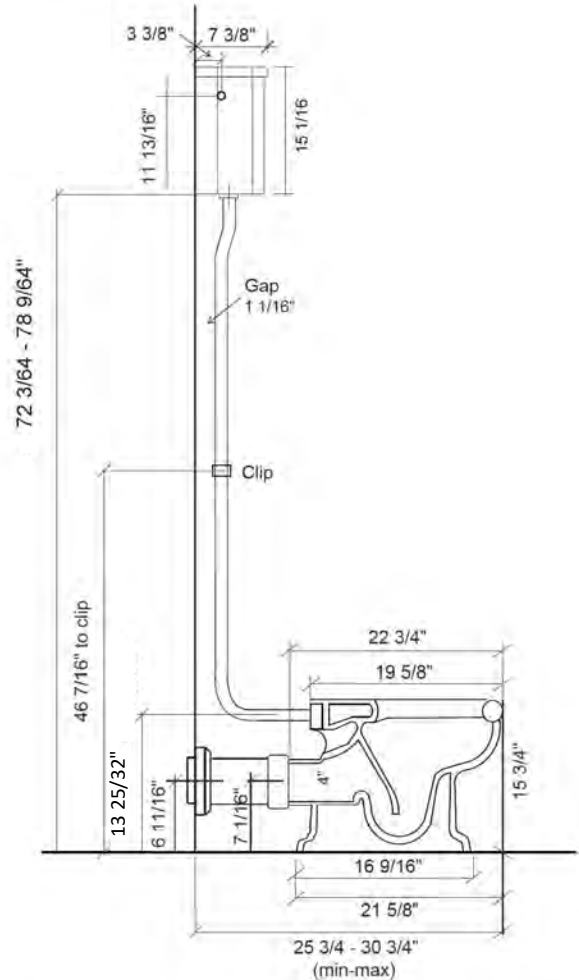
(page 2/3)

Cistern inlet pipe position diagram

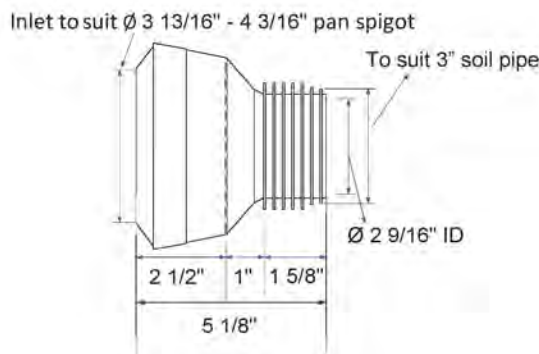


supplied with a bent service valve

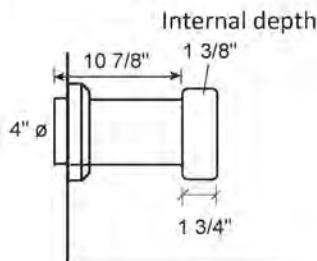
Side view with optional vertical pan connector



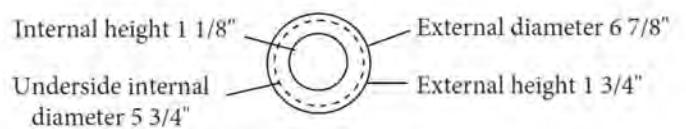
Mac 3" Pan Adaptor for US



Horizontal pan connector



Collar for horizontal and vertical pan connector



THE
WATER/
MONOPOLY

SOHO LAVATORY PAN WITH HIGH LEVEL CISTERN - USA

(page 3/3)

Technical Details

Assembly/Configuration: 2 piece water closet
+ high level cistern
Bowl shape: Elongated
Flush motion: Pull chain
Flush position: Right hand
Flush Primary Material: Brass
Flushing Technology: Syphonic Flush
Depth max S trap: 31 1/8"
Depth max P trap: 30 3/4"
Height max: 79 7/16"
Inlet connection size: 1/2"
Inlet connection type: Male thread
Installation type: Wall hung cistern
Cistern width: 17 7/8"
Outer Rim Shape: Elongated
Rim height: 15 3/4"
Application: Bathroom / cloakroom
Water Pressure Maximum: 85.0 psi
Water Pressure Minimum: 20.0 psi
Water Pressure Recommended: 45.0 psi
Outlet size: 4"
Water consumption: 1.585 USA gallons
Optional straight pan connector available

Product Notes

All dimensions are based on original specifications and are subject to change and variation.